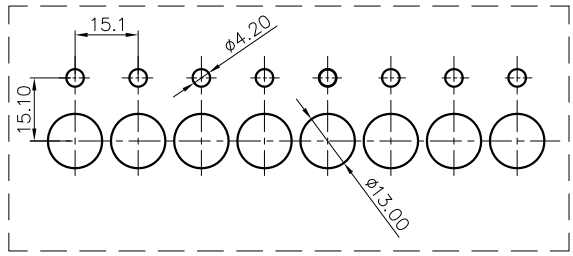
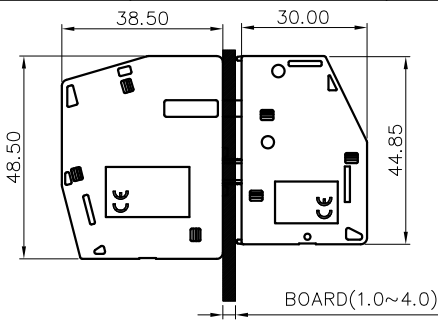
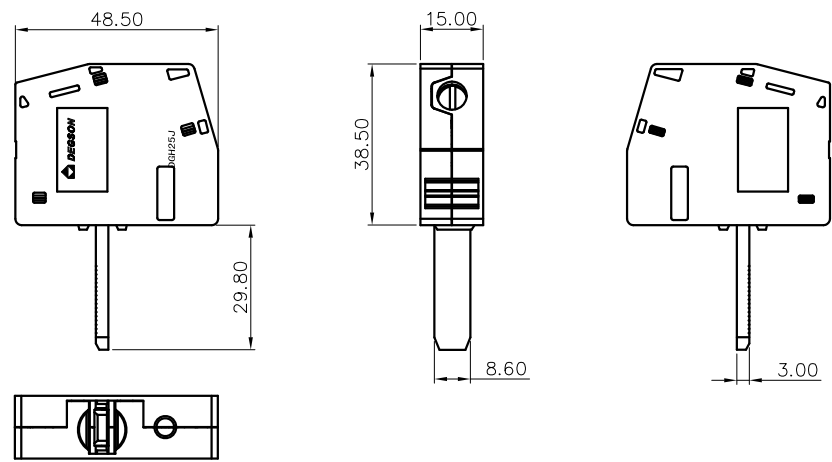


REVISION RECORD				
REV	ECN	DESCRIPTION	DRFT	DATE



LAYOUT

DGH25J-01P-1Y-00A(H)



NOTES1:

- UL Standard
- 1.Rated voltage/current : 600V / 115A
- 2.Withstanding voltage : AC1600V/1Min.
- 3.Torque value : M5 , 17.54Lb.in
- 4.Wire range : 8~2AWG

IEC Standard

1. Pollution degree	3
Overvoltage category	III
Rate impulse voltage(KV)	6.0KV
Rate voltage(V)	500V
Rate current(A)	101 A

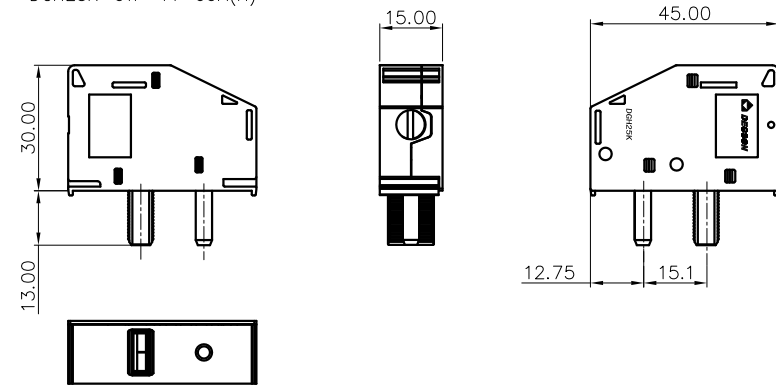
NOTES2:

- 1.Dimension shall be interpreted per ASME Y14.5-2009
- 2.Pitch : 15.1mm, Poles : N=01P
- 3.Stripping length : 19mm
- 4.Operating temperature:-40°C~+105°C
- 5.Undimensioned tolerances:

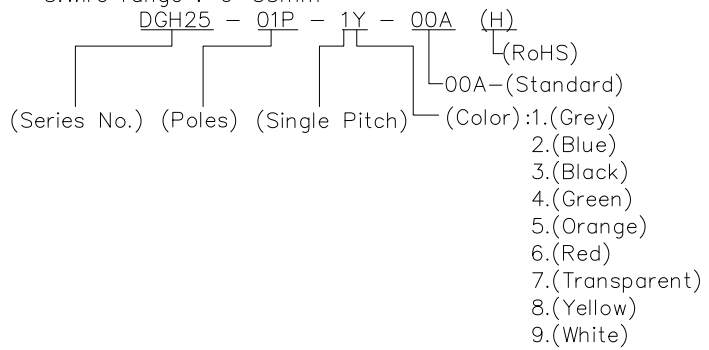
Pitch range in mm		Nominal dimension range in mm				-	∩	□
TO	Over	Over	Over	Over	Over	0.1/10		
6	6 TO 10	10 TO 24	30 TO 60	60 TO 100	100 TO 150			
	±0.15	±0.20	±0.30	±0.50	±0.70	±1.00	±1.30	±2*

- 6.RoHS Compliance

DGH25K-01P-1Y-00A(H)



- 2.Torque value : M5 , 2.0N·m
- 3.Wire range : 6~35mm²



DETACHED LISTS	PART NO.:	NINGBO DEGSON ELECTRICAL CO., LTD			
	APPD:	NAME: DGH25-01P-1Y-00A(H)			
	CHKD:	TITLE: CUSTOMER DRAWING			
	DRFT:	DRAWING NO.:		REV	D0
THIRD ANGLE PROJECTION		MM (INCH)	DO NOT SCALE DRAWING	SHEET 1/1	SCALE 1:1