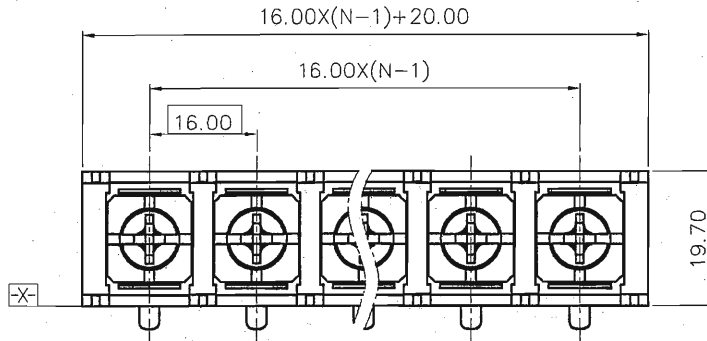
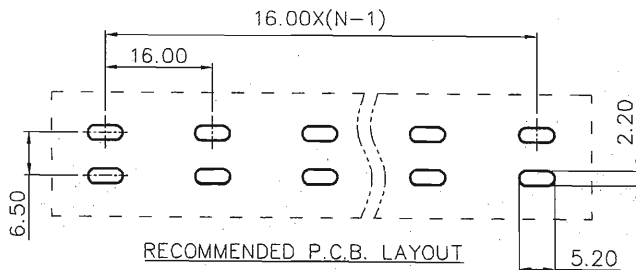
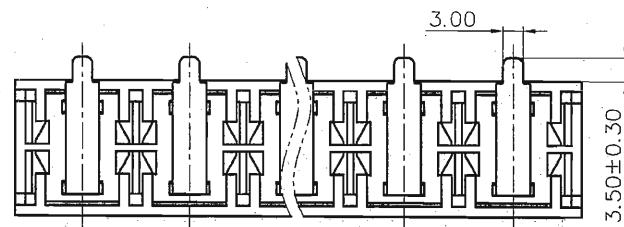
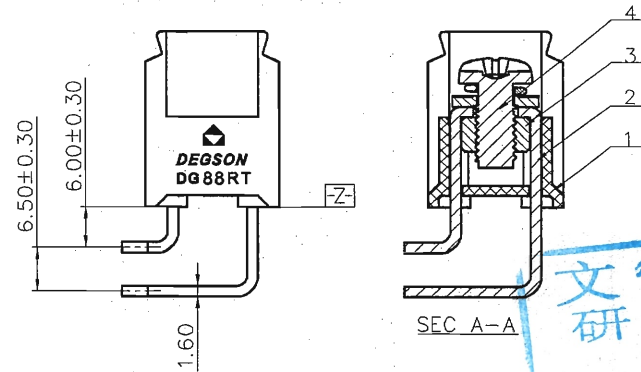
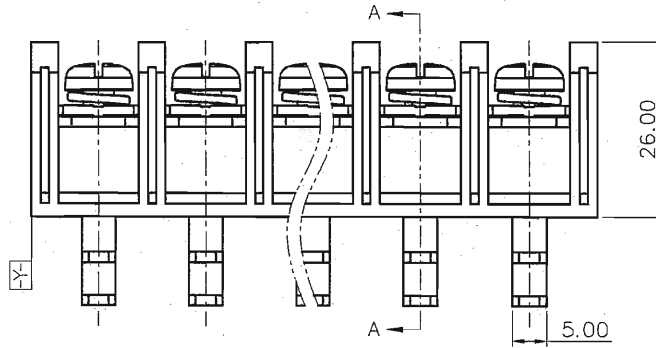
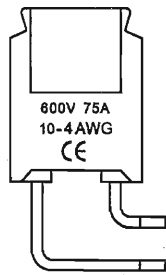


REVISION RECORD				
REV	ECN	DESCRIPTION	DRFT	DATE



- NOTES:
 1. DIMENSION SHALL BE INTERPRETED PER ASME Y14.5-2009.
 2. PITCH: 16.00, POLES: N=02-12P
 3. UL1059: 600V/75A
 4. IEC: 1000V/76A
 5. LOWER LIMIT TEMPERATURE: -40°C
 6. UPPER LIMIT TEMPERATURE: +105°C
 7. WIRE RANGE: 10AWG~4AWG, 16MM²
 8. TORQUE VALUE: M6.0, 26.05LB.IN/2.94N.M.
 9. UNDIMENSIONED TOLERANCES:

PITCH RANGE IN MM		NOMINAL DIMENSION RANGE IN MM				-
OVER TO	OVER TO	OVER TO	OVER TO	OVER TO	OVER TO	□
6 TO 10	10 TO 24	30 TO 30	60 TO 60	100 TO 150	150 TO 150	□
±0.10	±0.15	±0.25	±0.20	±0.30	±0.50	±1.00
						0.05/10



文管中心
 研发专用
 2015.05.28
 (仅限内部使用, 对外无效)

ITEM	NAME OF PART	NO. OF PART	Q'TY	MATERIAL	NOTES
4	M6.0x13.5-SCREW	S000008300(H)	XX	C1018/45#/65Mn	NI PLATED
3	M6.0 NUT	S000008400(H)	XX	45#	NI PLATED
2	DG88RT-Pin header	5067B00010(H)	XX	COPPER	SN PLATED
1	DG88RT-Housing	5067A0YXXA(H)	1	PA66	UL94V-0

DETACHED LISTS	MM (INCH)	MATERIAL:	宁波高正电子有限公司		
	TOLERANCES EXCEPT AS NOTED	FINISH:	DEGSON ® DEGSON ELECTRONICS CO., LTD		
	.X # .XX # .XXX #	.X' # .XX' # .XXX' #	PART NO.:	NAME: DG88RT-XXP-1Y-00A(H)	
	ANGLES ± 1°	APPD: <i>Aamr 5/22/15</i>	TITLE: ASSEMBLY DRAWING	REV	TO
THIRD ANGLE PROJECTION	CHKD: <i>slm 5/22/15</i>	DRAWING NO.: DG88RT-E01	DO NOT SCALE DRAWING	SCALE 1:1	SHEET 1/1
	DRFT: ZDZ 12/12/13				