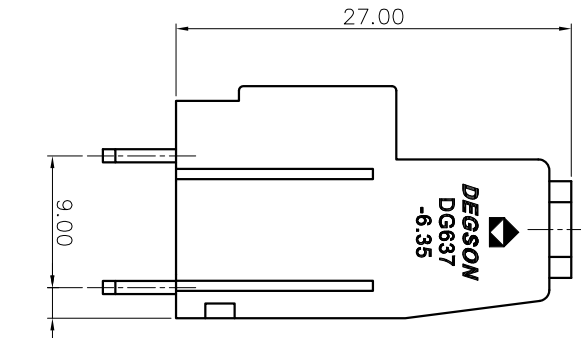
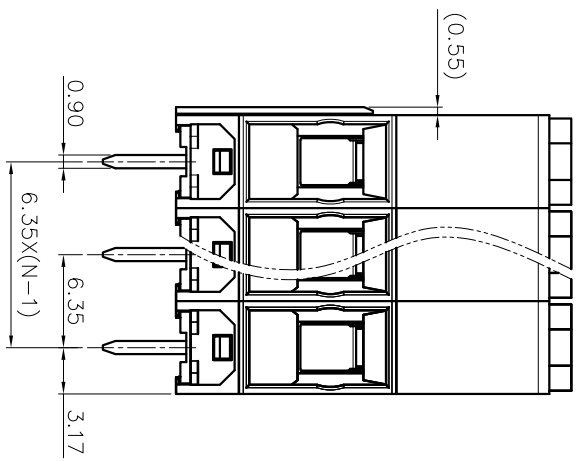
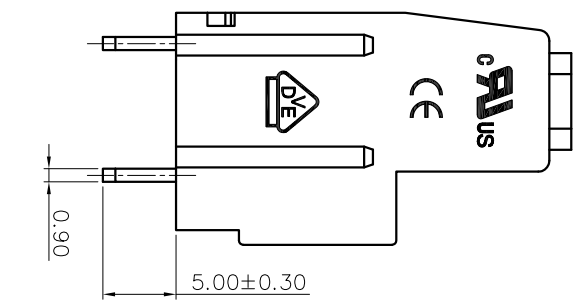
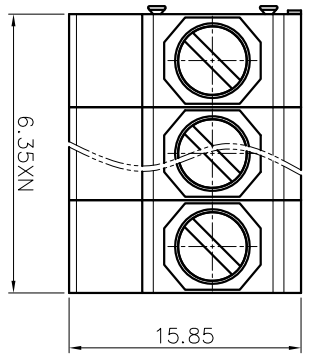


REVISION RECORD			
REV	ECN	DESCRIPTION	DRFT DATE



- NOTES1:
UL Standard
1. Rated Voltage/Current : 600V / 30A
2. Withstanding Voltage : AC2200V/1Min.
3. Torque Value : M3, 7.0lb.in
4. Wire Range : 28~10AWG

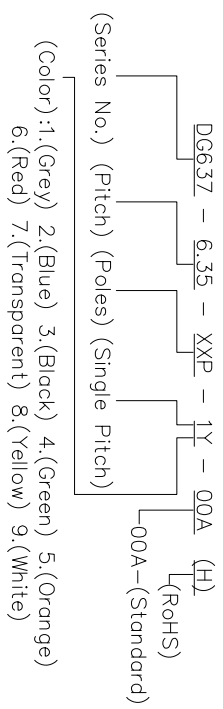
- IEC Standard
1. Pollution Degree 2 2 3
Overvoltage Category II III
Rate Impulse Voltage(KV) 8KV 8KV 8KV
Rate Voltage(V) 1000V 630V 500V
Rate Current(A) 32A
2. Torque Value : M3, 0.5N.m
3. Wire Range : 0.2~4.0mm²

NOTES2:

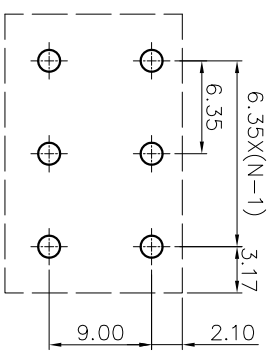
1. Dimension shall be interpreted per ASME Y14.5-2009
2. Pitch : 6.35mm, Poles : N=02~XXP
3. Stripping length : 7-8mm
4. Operating temperature : -40°C~+105°C
5. Undimensioned Tolerances:

Pitch range in mm	Nominal dimension range		Tolerance
	Over	Under	
6 TO 10	Over 6	Under 10	0.1/10
10 TO 24	Over 10	Under 24	±
30 TO 60	Over 30	Under 60	±0.15
60 TO 100	Over 60	Under 100	±0.30
100 TO 150	Over 100	Under 150	±0.50
150 TO 300	Over 150	Under 300	±0.70
300 TO 400	Over 300	Under 400	±1.00
400 TO 500	Over 400	Under 500	±1.30
500 TO 630	Over 500	Under 630	±2

6. RoHS Compliance



- (Series No.) (Pitch) (Poles) (Single Pitch)
(Color): 1.(Grey) 2.(Blue) 3.(Black) 4.(Green) 5.(Orange) 6.(Red) 7.(Transparent) 8.(Yellow) 9.(White)



DETACHED LISTS	
PART NO.:	/
APPD:	/
CHKD:	/
DRFT:	/
THIRD ANGLE PROJECTION	
NAME:	DEGSON NINGBO DEGSON ELECTRICAL CO., LTD 宁波高松电子有限公司
TITLE:	CUSTOMER DRAWING
DRAWING NO.:	/
REV	DO
SHEET	1/1
SCALE	1:1