

REVISION RECORD				
REV	ECN	DESCRIPTION	DRFT	DATE

NOTES1:

UL Standard

1. Rated voltage/current : 300V / 12A
2. Withstanding voltage : AC2000V/1Min.
3. Torque value : M2 , 1.77Lb.in
4. Wire range : 30~14AWG

IEC Standard

1.	Pollution degree	2	2	3
	Overvoltage category	II	III	III
	Rate impulse voltage(KV)	2.5KV	2.5KV	2.5KV
	Rate voltage(V)	500V	200V	250V
	Rate current(A)	16A		

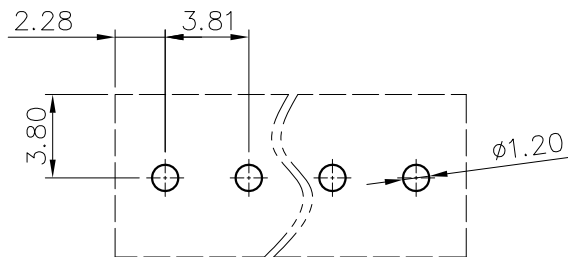
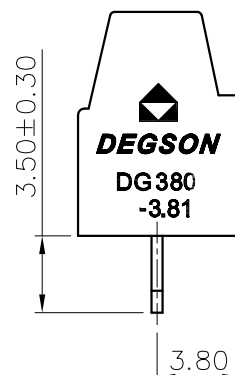
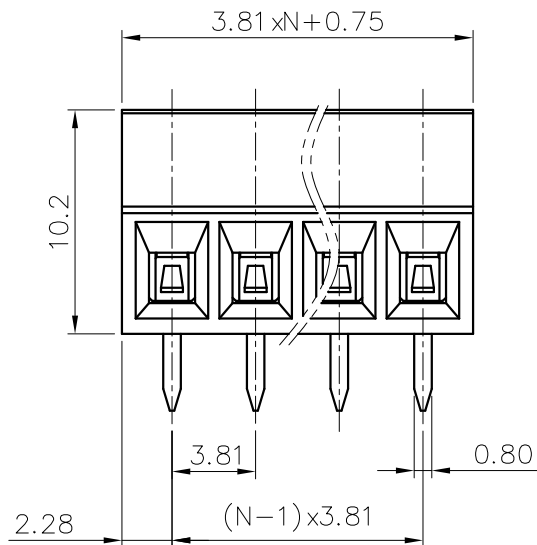
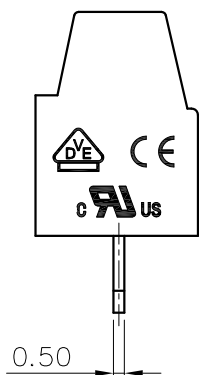
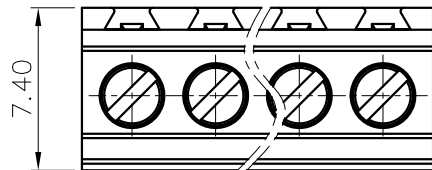
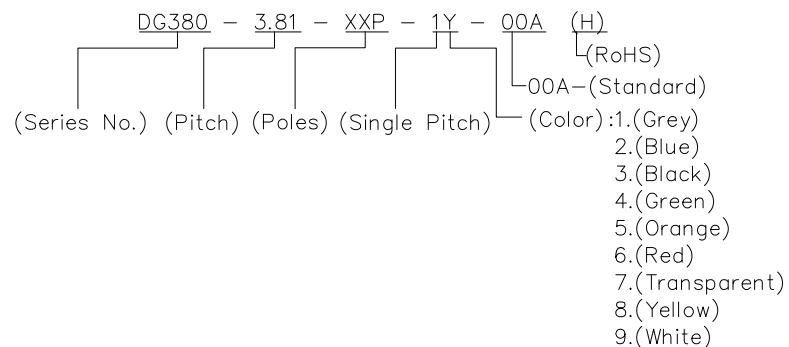
2. Torque value : M2 , 0.2N·m
3. Wire range : 0.2~1.5mm²

NOTES2:

1. Dimension shall be interpreted per ASME Y14.5-2009
2. Pitch : 3.81mm, Poles : N=02~24P
3. Stripping length : 5~6mm
4. Operating temperature: -40°C~+105°C
5. Undimensioned tolerances:

Pitch range in mm		Nominal dimension range in mm					-	∩	□
TO 6	Over 6 TO 10	Over 10 TO 24	TO 30	Over 30 TO 60	Over 60 TO 100	Over 100 TO 150	Over 150	0.1/10	
±0.15	±0.20	±0.30	±0.30	±0.50	±0.70	±1.00	±1.30	±2*	

6. RoHS Compliance



P.C.B. LAYOUT

DETACHED LISTS	PART NO.:	NINGBO DEGSON ELECTRICAL CO., LTD			
	APPD:	NAME: DG380-3.81-XXP-1Y-00A(H)			
	CHKD:	TITLE: CUSTOMER DRAWING			
	DRFT:	DRAWING NO.:		REV	DO
	THIRD ANGLE PROJECTION		DO NOT SCALE DRAWING	SHEET	1/1

MM (INCH) SCALE 1:1