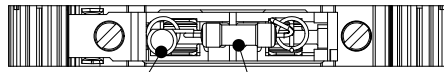
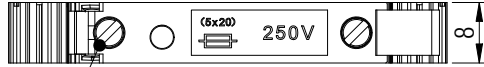


Transfer or duplication of this document as well as the utilization or communication of its content are prohibited unless authorized in writing. All rights reserved for patent, utility model or design registrations. 除专利声明外, 复制、引用、分发本文件的任何内容, 未经书面许可, 均视为侵权。本公司保留所有权利。

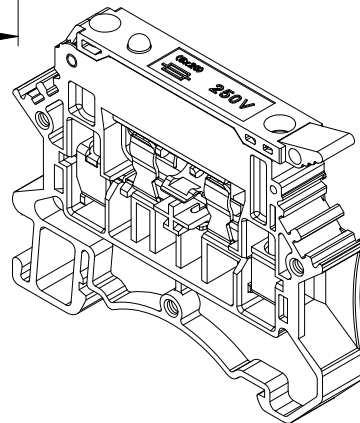
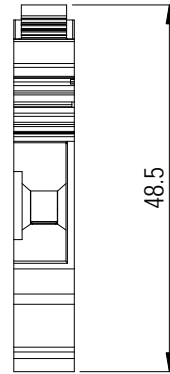
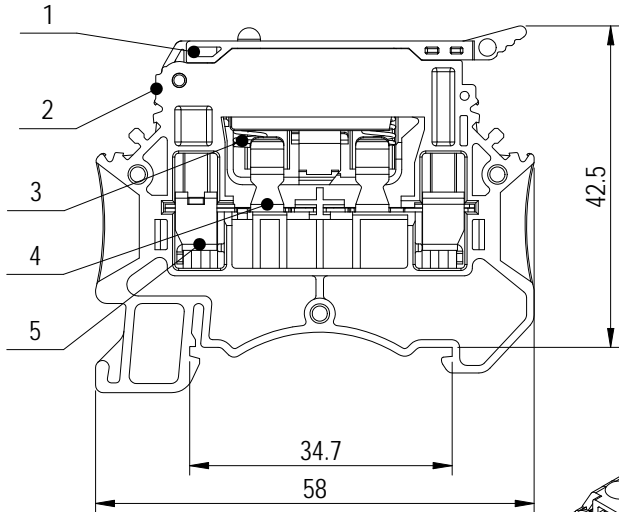
保险丝座已隐藏



7 8

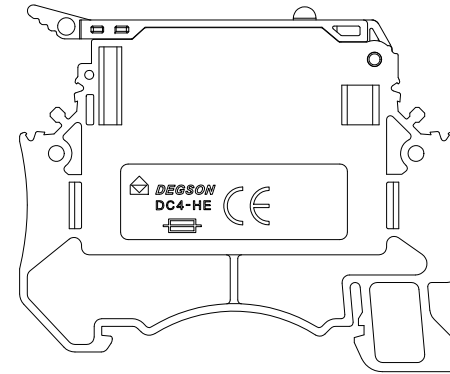


6



未注公差/General tolerances (mm)													0.1/10 ±2'
0	>3	>6	>10	>18	>30	>50	>80	>120	>180	>250	>315	>400	
±0.12	±0.18	±0.22	±0.26	±0.31	±0.37	±0.57	±0.80	±0.93	±1.05	±1.15	±1.60	±2.20	±2.50

IEC 标准/IEC Standard:			
过压类别/Overvoltage Category/污染等级/Pollution Degree	III/3	III/2	II/2
额定电压/电流/Rated Voltage(V)/Current(A)	250/6.3	/	/
额定脉冲电压(KV)/Rate Impulse Voltage(KV)	6	/	/
螺丝扭矩/Torque Tightening(N·m/Lb.in)	M3, 0.5/4.43		
线径范围(硬线和软线)/Wire Range(rigid and flexible)(AWG/mm <sup>2</sup> )	20~10 / 0.5~4.6 (Sol)		
间距/Pitch(mm)/线数范围/Poles	8.0/01P		
剥线长度/Stripping length(mm)	9		
使用温度范围/Operating temperature(°C)	-40~+105		
符合RoHS环保要求/Conform to RoHS	Yes		



ITEM	NAME OF PART	MATERIAL	NOTES
8	Resistance	/	/
7	LED	/	/
6	Screw	Steel	Zn plated
5	Cage	Steel	Zn plated
4	Clamp	Copper alloy	Sn plated
3	Spring	Stainless steel	/
2	Housing	PA66	L94V-0
1	Fuse Housing	PA66	L94V-0

		MATERIAL: /	SURFACE/COLOR: /		
		MAT NO./REV: /	MAT STATUS: 批量		
APPD: 彭敏	2023.10.07	NAME			
CHKD: 高卫国	2023.10.07	DC4-HE-LD250-01P-11-00Z(H)			
DRFT: 叶旭迪	2023.10.07	DRAWING NO. /	TYPE	DRAWING STATUS	SCALE
		CUSTOMER DRAWING		work	1:1
				SHEET	1/1

REV	ECN	DESCRIPTION	DRFT	DATE
00	/	New Product	叶旭迪	2023.10.07