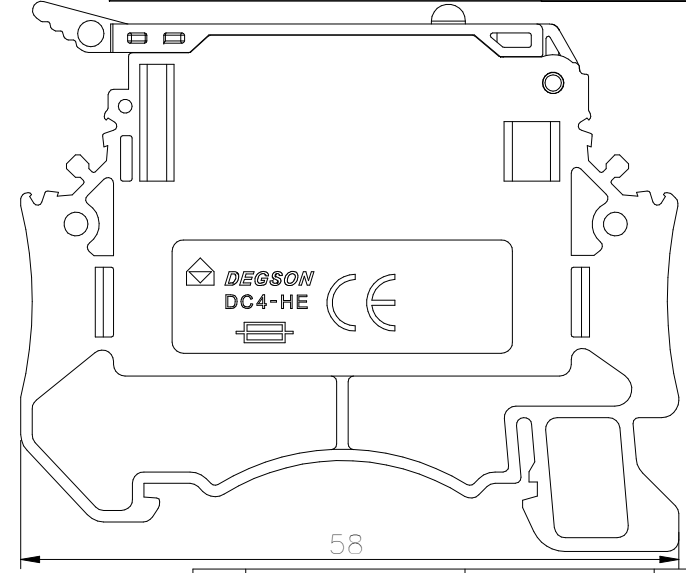
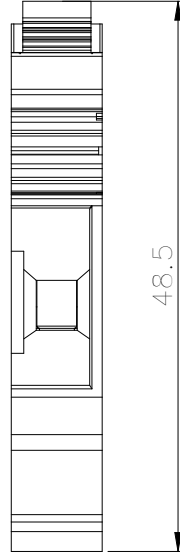
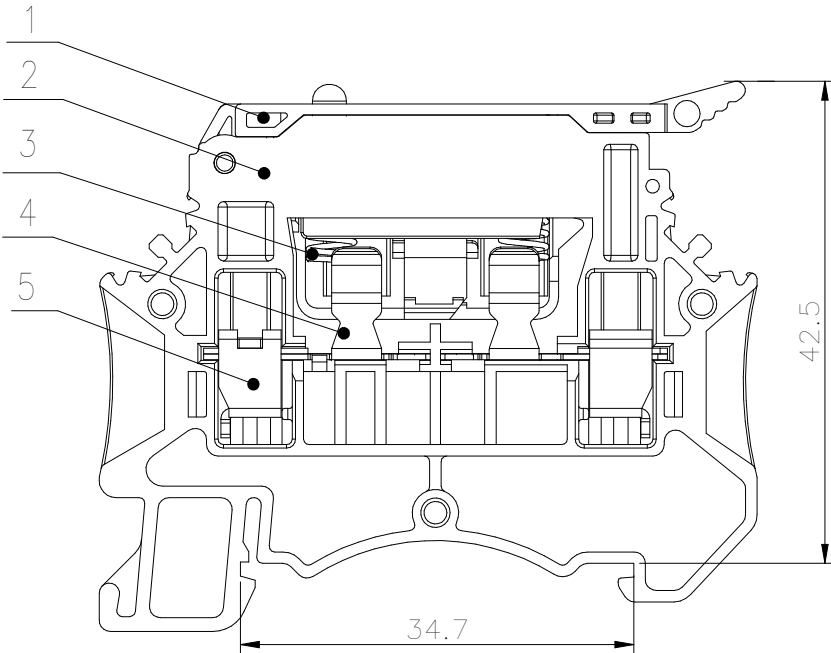


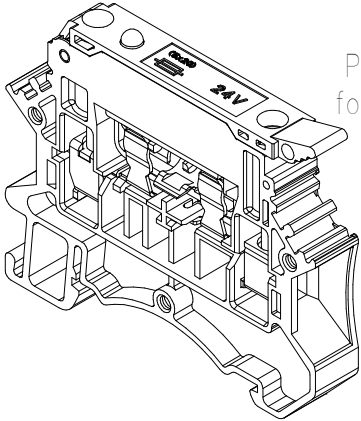
未注公差/General tolerances(mm)											0.1/10		
0	>3	>6	>10	>18	>30	>50	>80	>120	>180	>250		>315	>400
3	6	10	18	30	50	80	120	180	250	315	400	500	>500
±0.12	±0.18	±0.22	±0.26	±0.31	±0.37	±0.57	±0.80	±0.93	±1.05	±1.15	±1.60	±2.20	±2.50

UL 标准/UL Standard:	B	C	D
额定电压/电流/Rated Voltage(V)/Current(A)	/	/	/
IEC 标准/IEC Standard:			
过压类别/Overvoltage Category/污染等级/Pollution Degree	III/3	III/2	II/2
额定电压/电流/Rated Voltage(V)/Current(A)	24/6.3	/	/
额定脉冲电压(KV)/Rate Impulse Voltage(KV)	/	/	/
螺丝扭矩/Tightening torque(N·m/Lb.in)	M3, 0.5/4.43		
线径范围(硬线和软线)/Wire Range(rigid and flexible)(AWG/mm ²)	20~10 / 0.5~4.6 (Sol)		
间距/Pitch(mm)/线数范围/Poles	8.0/01P		
剥线长度/Stripping length(mm)	9		
使用温度范围/Operating temperature(°C)	-40~+105		
符合 RoHS 环保要求/Conform to RoHS	Yes		



7	LED lamp assembly	/	/
6	Screw	Steel	M3/Zn plated
5	Cage	Steel	M3/Zn plated
4	Clamp	Copper	Sn plated
3	Spring	Stainless steel	/
2	Body housing	PA66	UL94V-0(Black)
1	Fuse housing	PA66	UL94V-0(Black)
ITEM	NAME OF PART	MATERIAL	NOTES

Please refer to the 3D model, for these unmarked dimensions.



DEGSON		MATERIAL: /	SURFACE: /	
		MAT. NO./REV: 11020000120-1 / 00	MAT STATUS: 批量	
APPD: Peng M	2023.11.10	NAME		
CHKD: Gao WG	2023.11.10	DC4-HE-LD24-01P-13-00Z (H)		
DRFT: Ye XD	2023.11.10	DRAWING NO. 200241218	TYPE CUSTOMER DRAWING	DRAWING STATUS work
REV	ECN	SCALE 1.5:1	SHEET 1/1	

00	/	New Product	Ye XD	2023.11.10
REV	ECN	DESCRIPTION	DRFT	DATE

Transfer or duplication of this document as well as the utilization or reproduction of its contents are prohibited unless explicitly authorized. All rights reserved for patent, utility model or designs registrations. 非经明确授权, 否则禁止转让、复制、利用、交流本文件的内容, 侵犯者将承担赔偿责任。本公司保留对涉及发明、实用新型和外观设计的所有权利。