

Distribution Box

HA series



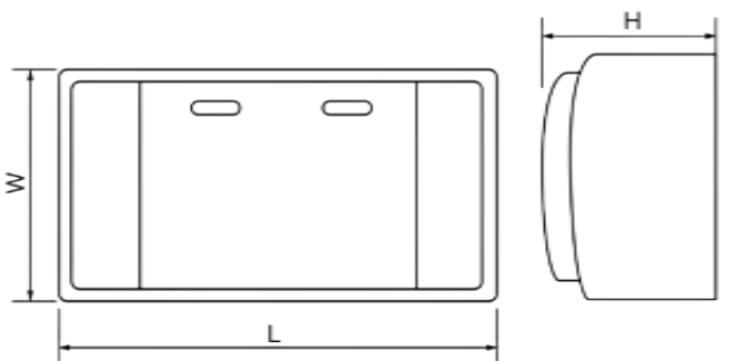
DESCRIPTION / APPLICATION

The HA Series distribution box is in line with IEC60439 standard, attractive and durable, safe and reliable, which is widely used in various places such as factory, mansion, residence, shopping center and so on.

MAIN TECHNICAL DATA

Standard	IEC60439-3
Material	Body: ABS / Upper cover: PC
Flame retardant rating	ABS - V1 (optional)
Protection Degree	IP65
Mounting Type	Surface Mounted
Storage Temperature	-40°C ~75°C

DIMENSIONS AND MOUNTING

Item code	Dimension (mm)			
	L	W	H	
DB-HA-4W	140	210	100	
DB-HA-8W	215	210	100	
DB-HA-12W	300	260	140	
DB-HA-18W	410	285	140	
DB-HA-24W	415	300	140	