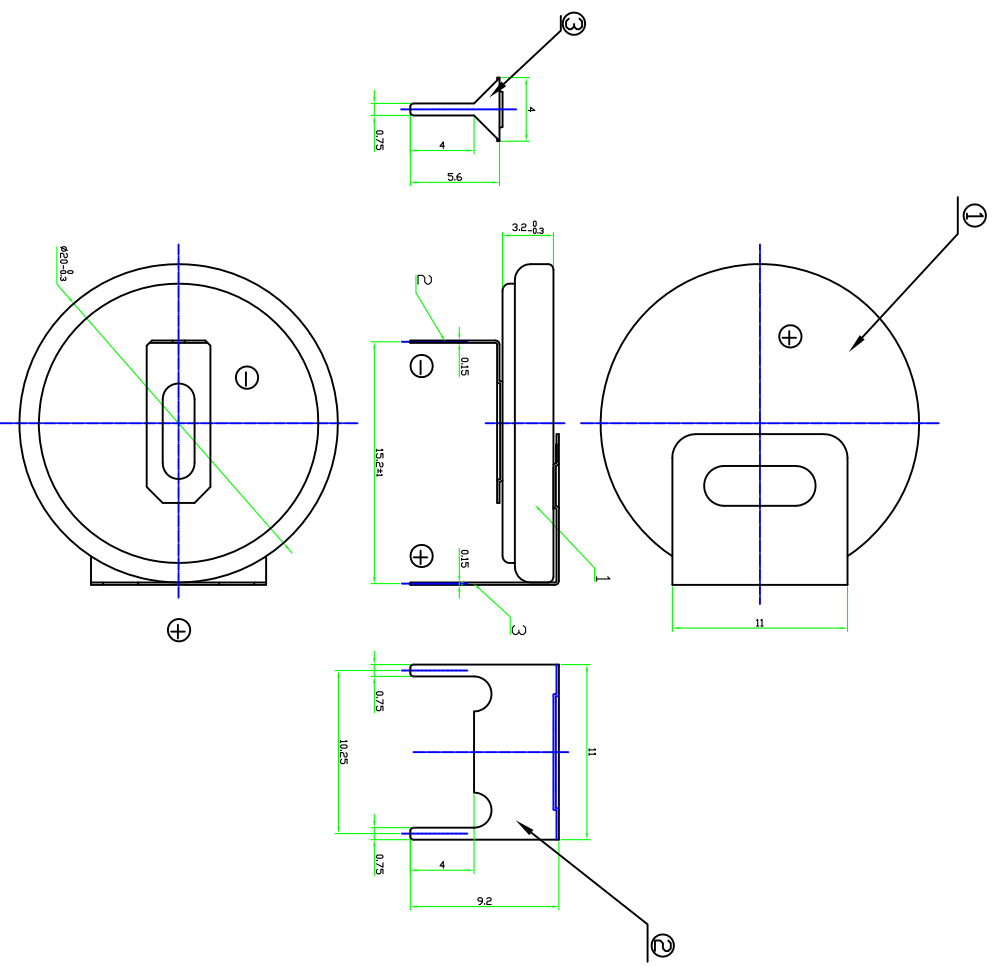
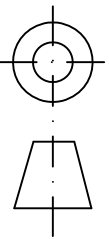


NO.	DESCRIPTION	QTY.	SPECIFICATION	MARKS
1	BATTERY	1	Ø20.0*3.2	①
2	LEAD TAG	1	18.5*11*0.15	②
3	LEAD TAG	1	15.5*4*0.15	③
4				

NOTE:
 1. THE LITHIUM BATTERIES MUST MEET THE REQUIREMENT
 2. THE BATTERY POSITIVE MUST BE FULLY COVERED WITH THE PVC SHEET ON THE NEGATIVE OF SINGLE CELL



Unit: mm



TYPE	CR2032AT1	REVISION	A	LITHIUM CAMELION BATTERY CO., LTD.
VOLTAGE	3.0V	PAGE	1/1	
SCALE	2:1	DWG. NO.		
DATE	200302	DRAWN	ZYZY	
		CHECKED		Amv