

CE1

[Product name] Aluminum tube closed terminal/wire cap

[Product Model] CE-1

[Product material] Standard aluminum tube contact PP engineering raw material shell

[Electrical performance] Operating voltage: 300V Maximum temperature: 105°C

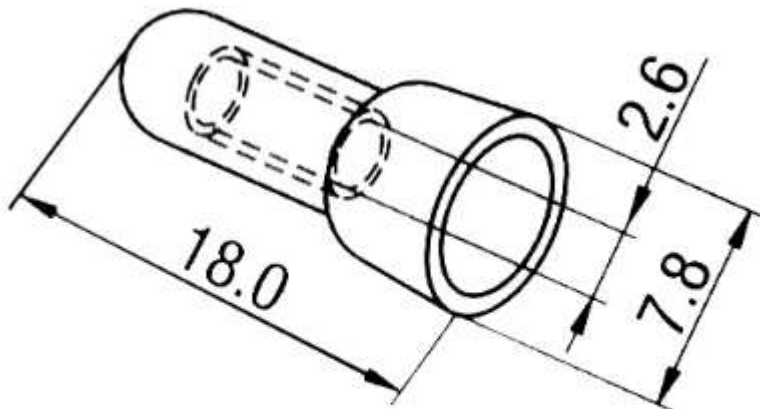
[Certification standard] Comply with UL CSA CQC safety certification

[Product size] Total length 17.8mm Tube length 6.8mm

Shell diameter 6.3mm Tube diameter 2.5mm

[Packing] 1000PCS/ bag 30 bags/box.

[Product use] Used in various electrical products, mechanical equipment, lighting and home wiring and other wiring equipment.



CE-1X