



Cabletronics Cabletronics Cabletronics Cabletronics

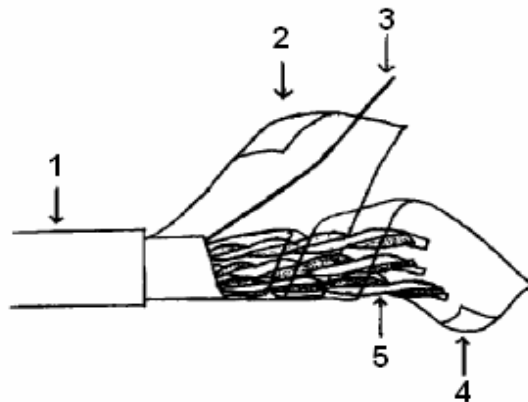
CABLETRONICS

Cabletronics Cabletronics Cabletronics Cabletronics

Electrical Data on Screened PVC Cables @ 20°C For 0.22mm² Tinned Copper Conductors: 2 to 50 Core

Conductor Resistance	Max. 75 Ohm / Km
Insulation Resistance	> 200 Mohm / Km (20°C)
Capacitance at 1 KHz	Single Core: Core Earthed = 245pF/m Multi-Core: Core/Core Screened Earthed = 100pF/m
Voltage	300 / 500 Volt
Amperage	Max. 2.5 Amp
Temperature	-10 - +80°C

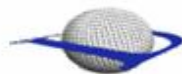
Multi-Pair Overall Aluminium Foil Screened Cables



1. PVC Outer Jacket (Sheath) Gray
2. Overall Aluminium Mylar Foil Screen 100% Coverage
3. Tinned Copper Drain Wire
4. Overall Clear Polyester 100% Coverage
5. Multi-Pairs

Notes:

1. The overall clear polyester tape must cover all the Multi-Pairs 100%. The drain wire then runs between the polyester tape and Mylar Foil screen, making continuous contact with the foil.
2. Conductor sizes for these cables are:
 - a) For 0.22mm² 7 stands of 0.21mm tinned copper
3. Drain wire sizes are:
 - a) For 0.22mm² cable drain wire = 7 stands of 0.21mm tinned copper



DRAKA DENMARK