

**AMPHENOL DIN 41612 TWO-PIECE
PRINTED CIRCUIT BOARD CONNECTORS**

705-C133 / 706-C143 SERIES

C/2 CONFIGURATION - 1/2 - 3 ROW RECEPTACLE



Number of Contacts		48		32		16	
Contact Arrangement (row, position numbers)		Row A, B, & C Fully Loaded		Row A & C Loaded		Row A & C Even Numbered Contacts Loaded	
DIN Style		C2-48		C2-32		C2-16	
Termination Method		Performance Level	Part Numbers				
Description	End View						
Straight Wire Wrap .0236 X .0236		1	706-C143-C048F-30B-001	706-C143-C032F-30B-001	706-C143-C016F-30B-001		
		2	706-C143-012A-48S(21)	706-C143-012A-48S(24)	706-C143-012A-48S(27)		
		3	706-C143-012A-48S(20)	706-C143-012A-48S(23)	706-C143-012A-48S(26)		
Straight Dip .0236 X .0236		1	706-C143-C048F-10B-001	706-C143-C032F-10B-001	706-C143-C016F-10B-001		
		2	706-C143-C048F-10B-002	706-C143-C032F-10B-002	706-C143-C016F-10B-002		
		3	706-C143-C048F-10B-004	706-C143-C032F-10B-004	706-C143-C016F-10B-004		
Straight Dip .0236 X .0236		1	706-C143-C048F-11B-001	706-C143-C032F-11B-001	706-C143-C016F-11B-001		
		2	706-C143-012A-48S(1)	706-C143-012A-48S(4)	706-C143-012A-48S(7)		
		3	706-C143-012A-48S	706-C143-012A-48S(3)	706-C143-012A-48S(6)		
Right Angle Dip .0236 X .0236		1	706-C143-C048F-23B-001	706-C143-C032F-23B-001	706-C143-C016F-23B-001		
		2	706-C143-012B-48S(1)	706-C143-012B-48S(4)	706-C143-012B-48S(7)		
		3	706-C143-012B-48S	706-C143-012B-48S(3)	706-C143-012B-48S(6)		
Right Angle Wire Wrap .0236 X .0236		1	706-C143-C048F-22B-001	706-C143-C032F-22B-001	706-C143-C016F-22B-001		
		2	706-C143-C048F-22B-002	706-C143-C032F-22B-002	706-C143-C016F-22B-002		
		3	706-C143-C048F-22B-004	706-C143-C032F-22B-004	706-C143-C016F-22B-004		
Solder Eyelet		3	706-C143-C048F-70B-004	706-C143-C032F-70B-004	706-C143 C016F-70B-004		

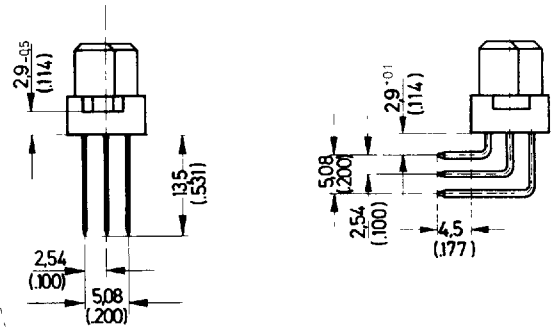
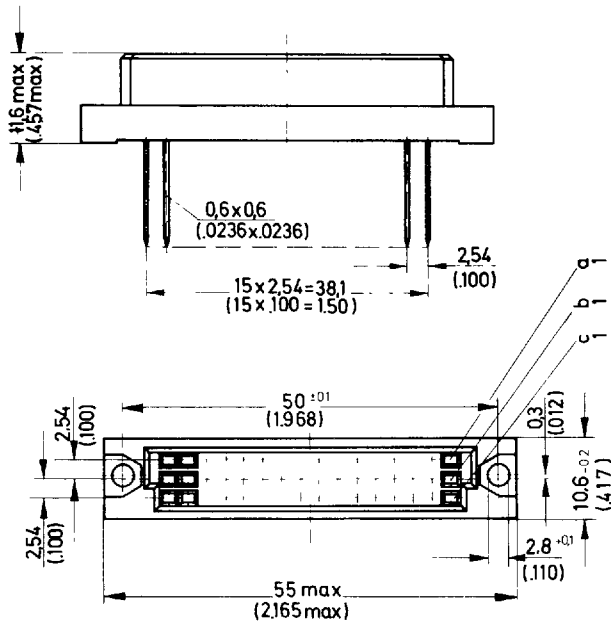
Popular items shown in bold print. Note: Product Available with Boardlocks. Please Contact Factory.

SPECIFICATIONS

Style	B	C	C/2	R	C PRESS FIT
Maximum Number of Contacts	64	96	48	96	96
Spacing	.100				
Termination Method					
Plug	dip solder, solder, wire wrap		wire wrap, dip solder, press in		press fit
Receptacle	wire wrap, solder, dip solder, crimp, IDC		dip solder, wire wrap		press fit
Maximum Wire Size	AWG 28				N / A
Thickness of P.C. Board (inches)	max. .090				max. .125
Performance Levels (Mating Cycles)	See definitions of performance levels on page 3.				level 2
Dielectric Material	glass reinforced PBT				Polycarbonate
Flammability According to UL 94	V-O for PBT / V-1 for Polycarbonate				
Insertion Force per Connector (max. lbs.)	13.5	20.0	10.0	20.0	20.0
Withdrawal Force per Contact (min. oz.)	0.5				
Operating Temperature	-85°F to +257°F (-65°C to +125°C)				-67°F to +257°F (-55°C to +125°C)
Contact Material					
Male Contacts	Brass				Phosphor Bronze
Female Contacts	Phosphor Bronze				
Insulation Resistance	>= 1000 megaohms				
Rated Voltage					
According to VDE 0110	250 VAC / 300 VDC, insulation group A				125 VAC / 150 VDC
According to IEC 130-1 Appendix B	330 V eff				
Test Voltage	1000 V eff				
Operating Current @ Ambient Temperature	1 amp @ 158°F (70°C)				2 amps @ 68°F (20°C)
Contact Resistance	<= 20 milliohms				> 15 milliohms
Test According to DIN 40045	67°F (55°C) with humidity / 257°F (125°C) dry / 56 days				

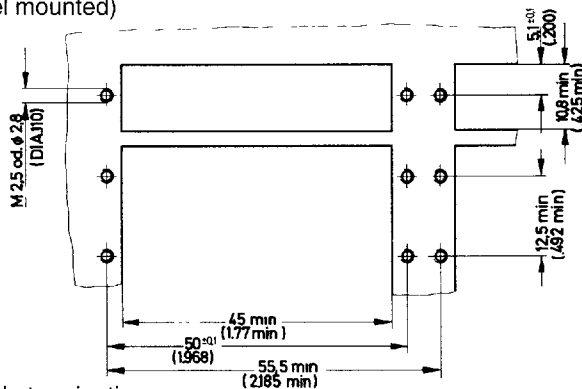
C/2 CONFIGURATION - 1/2 - 3 ROW RECEPTACLE

DRAWINGS:
mm (inches)

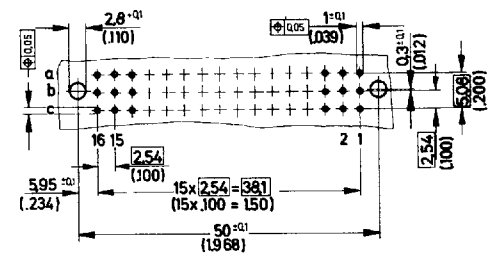


MOUNTING HOLE PATTERNS:
mm (inches)

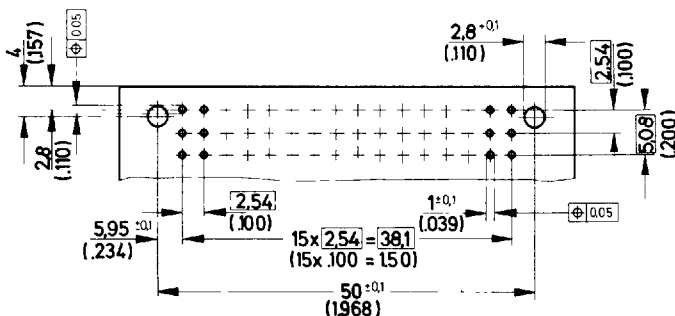
receptacle (rack or panel mounted)



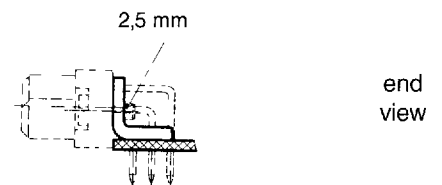
receptacle with straight termination



receptacle with right angle termination



MOUNTING BRACKET (METAL DESIGN)



MOUNTING BRACKET (PLASTIC DESIGN)



For mounting, two brackets are necessary:
Bulkpack unit with 20 brackets:
VN18-005-00011 (metal design)
VN20-003-1000 (plastic design)