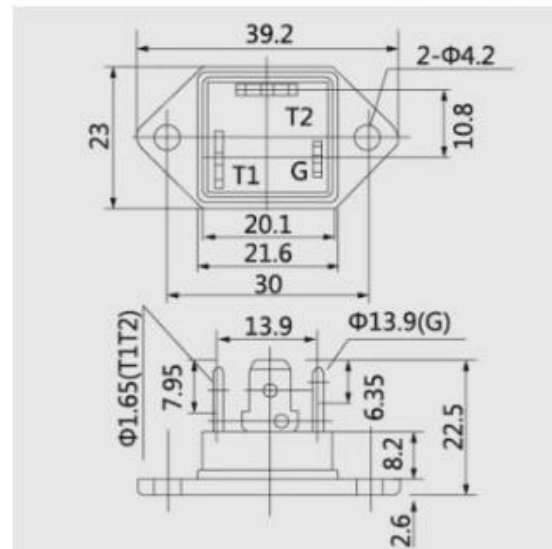


isc Triacs
BTA60-800B
FEATURES

- With TOP3 insulated package
- Suitable for general purpose where high surge current capability is required.
Application such as phase control and static switching on inductive or resistive load.

ABSOLUTE MAXIMUM RATINGS(Ta=25°C)

SYMBOL	PARAMETER	MIN	UNIT
V _{DRM}	Repetitive peak off-state voltage	800	V
V _{RRM}	Repetitive peak reverse voltage	800	V
I _{T(RMS)}	RMS on-state current (full sine wave) T _j =80°C	60	A
I _{TSM}	Non-repetitive peak on-state current t _p =20ms	900	A
T _j	Operating junction temperature	-40~125	°C
T _{stg}	Storage temperature	-40~150	°C
P _{G(AV)}	Average gate power dissipation(T _j =125°C)	1	W
R _{th(j-c)}	Thermal resistance, junction to case	0.9	°C/W



ELECTRICAL CHARACTERISTICS (T_c=25°C unless otherwise specified)

SYMBOL	PARAMETER	CONDITIONS	MAX	UNIT
I _{RRM}	Repetitive peak reverse current	V _R =V _{RRM} , V _R =V _{RRM} , T _J =125°C	0.02 2.0	mA
I _{DRM}	Repetitive peak off-state current	V _D =V _{DRM} , V _D =V _{DRM} , T _J =125°C	0.02 2.0	mA
I _{GT}	Gate trigger current	I	V _D =12V; R _L = 100 Ω	mA
		II		
		III		
		IV		
I _H	Holding current	I _{GT} = 0.5A, Gate Open	80	mA
V _{GT}	Gate trigger voltage all quadrant	V _D =12V; R _L = 100 Ω	1.5	V
V _{TM}	On-state voltage	I _{TM} = 120A;	1.55	V