

珠海市清达电子科技有限公司

Zhuhai Qingda Electronic Technology Co., LTD

TEL : 0756-7239568 FAX:0756-7239578

<http://www.zhqingda.com> E-mail:zh1q-88@163.com

SPECIFICATION FOR APPROVAL

CUSTOMER 客户

DESCRIPTION 种类 BC1-W 无底盘型旋臂式变阻器

YOUR MODEL NO 料号 _____

APPRVED BY 承认 _____

DATE 日期 _____

清达电子及盖章		
核准	复审	作成
张 海 军	吴 刚	唐 波 山

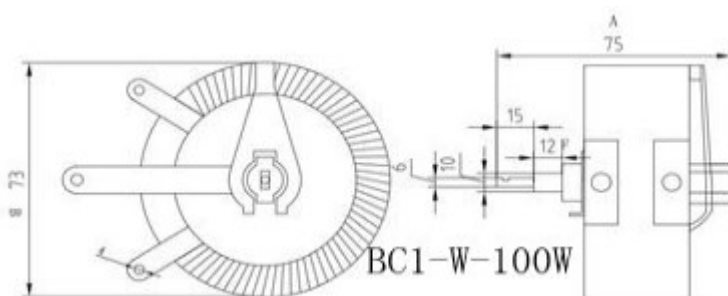
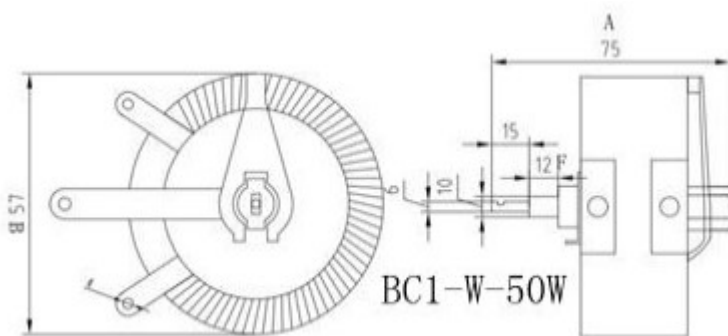
贵公司及盖章		
核准	复审	作成

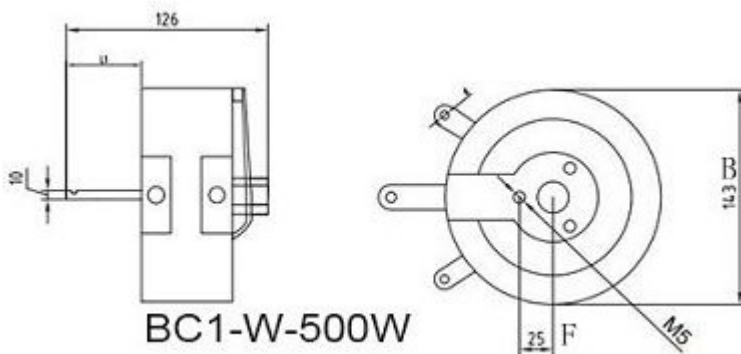
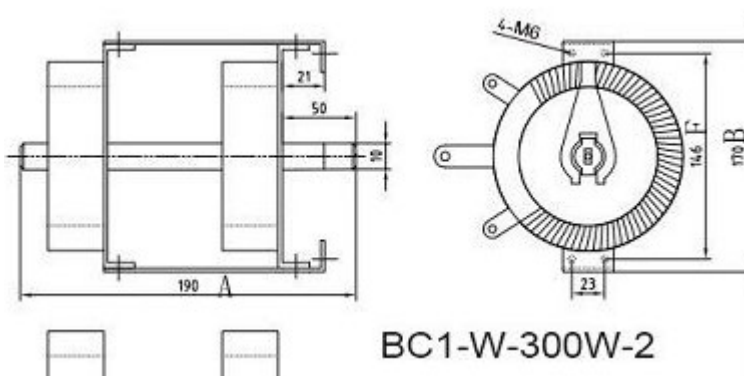
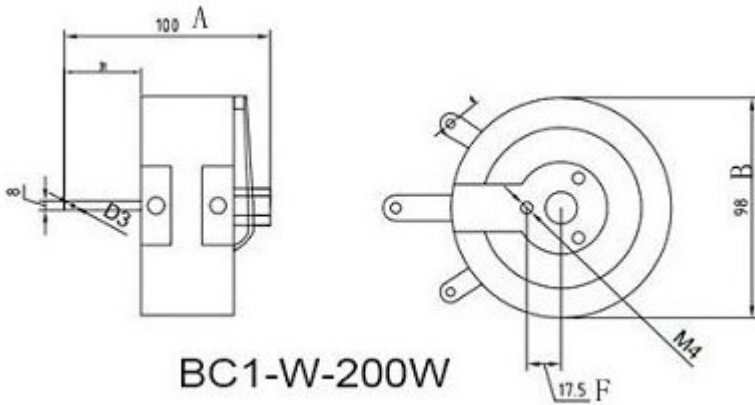
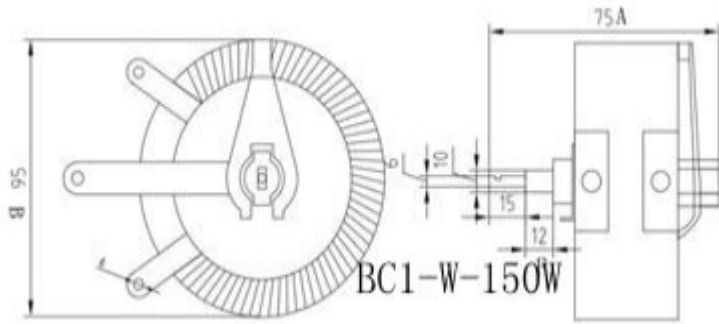
BC1-W no chassis type rotary arm rheostat is made of alloy resistance wire wrapped around the circular ceramic skeleton and fixed with high temperature glaze sintering, and the disk center is equipped with a rotating shaft to drive the brush on the resistor body, so as to obtain the changing resistance value. It has the advantages of high power, resistance to moisture and wide adjustment range. Suitable for low frequency AC or DC electrical equipment to adjust the control voltage, current or adjustable load resistance.

型号功率(w)	A	B	F
BC1-W-50W	75	57	12
BC1-W-100W	75	73	12
BC1-W-150W	75	95	12
BC1-W-200W	100	98	17.5
BC1-W-300W	126	170	136
BC1-W-500W	126	143	25
BC1-W-100W/2	135	95	12
BC1-W-150W/2	138	125	12
BC1-W-300W/2	190	170	146
BC1-W-500W/2	190	200	190
BC1-W-300W/3	300	170	148
BC1-W-500W/3	300	200	188



单位: mm





BC1-W no chassis type rotary arm rheostat Technical parameters:

- 1, rheostat limit working voltage: AC 600V, DC 500V: insulation voltage 2500V
- 2, rheostat temperature rise: 50-100W varieties $<300K$; Varieties $\geq 150W$: $\leq 350K$
- 3, sliding stroke 50W varieties: $280 \pm 5^\circ$; $\geq 100W$ variety: 300 ± 50
- 4, the law of resistance, linear deviation: in the entire stroke, the resistance law changes into a linear law, the linear deviation is not more than $\pm 10\%$, the rheostat control shaft in not less than 90% of the stroke rotation

5000 weeks, the rheostat should have no visible damage

6, the transformer withstand high temperature of 40° C alternating humid heat for 6 weeks (six days), insulation cathode is less than 1.5MΩ