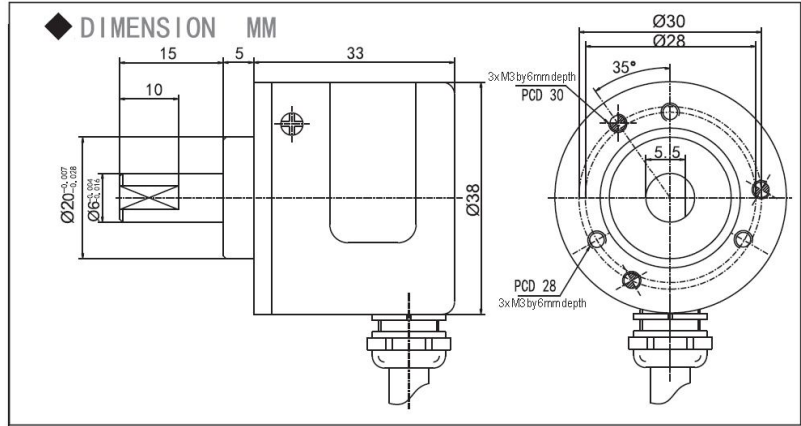
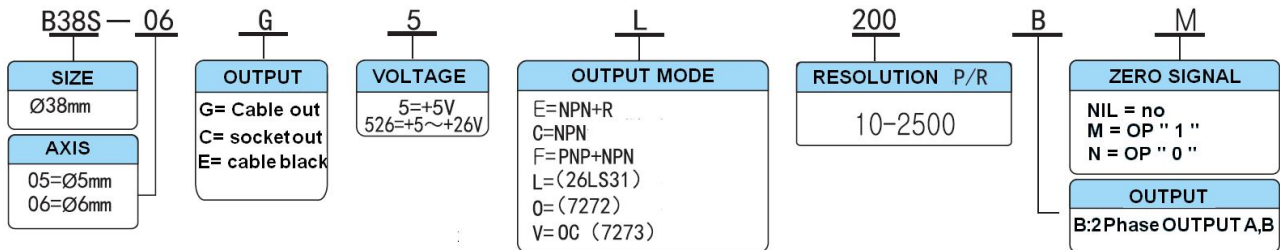
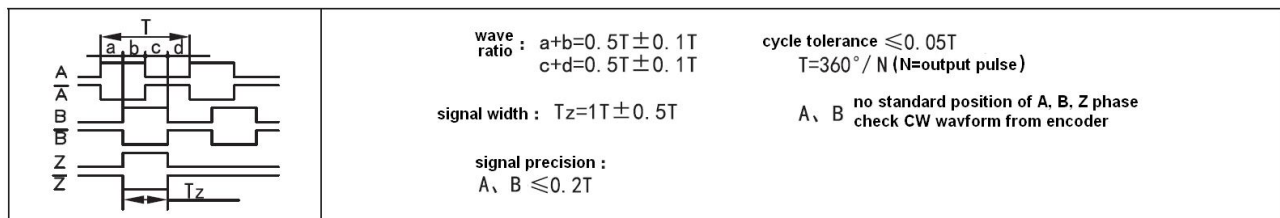


B38S SERIES

APPLICATION, FEATURES
DESIGNATE THE NAME OF FUNCTION WHEN ORDERING

ELECTRICAL SPEC

mode	collector open output	output volt	compensation output	driving output
source volt. Vcc	5~26	5~26	5±0.25 5~26	5±0.25 5~26
operating current	≤80mA	≤80mA	≤80mA	≤150mA
loading current	40mA	40mA	40mA	60mA
high level volt	Vcc*70%	Vcc-2.5V	Vcc-1.5V	3.4V
low level volt	0.4V	0.4V	0.8V	0.4V
rising time	MAX 1us	MAX 1us	MAX 1us	MAX 200ns
falling time	MAX 1us	MAX 1us	MAX 1us	MAX 200ns
max freq. response	300kHz	300kHz	300kHz	300kHz

MECHANICAL SPEC

max RPM	starting torque	max loading	impact	vibration resist
6000	<0.05Nm	20N	50G/11ms	10G 10~2000Hz
rotation mass	work temp	storage temp	protection level	weight
4x10 ⁻⁶ kgm ²	-30~85°C	-35~95°C	IP51	100g

OUTPUT PHASE SHIFT

CONNECTION TABLE

signal	A	B	Z	\bar{A}	\bar{B}	\bar{Z}	Vcc	GND
color	green	white	yellow	brown	grey	orange	red	black