

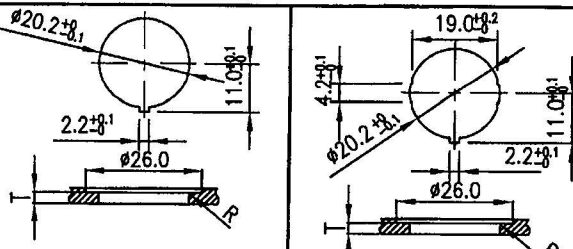
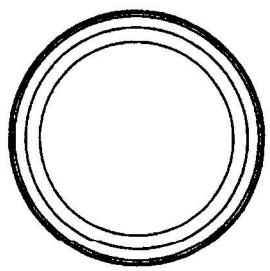
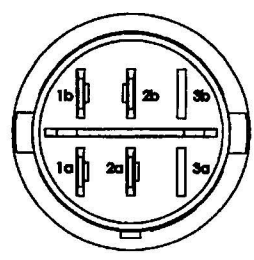
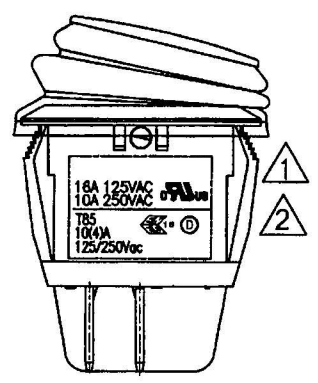
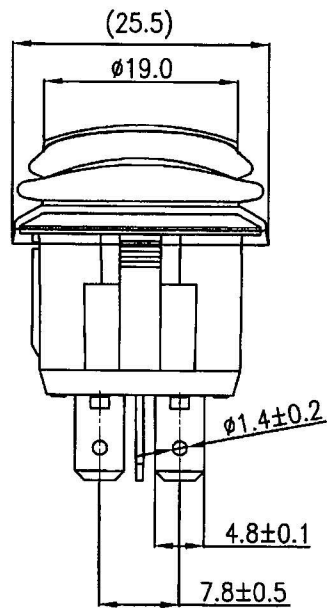
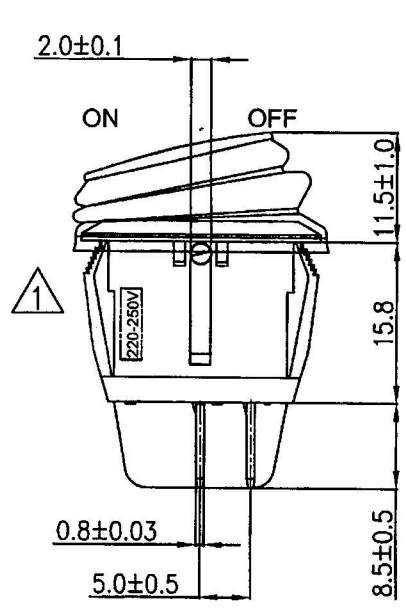
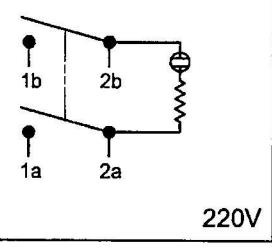


Rating	16A125VAC 10A250VAC  10(4)A 125/250Vac 	<h3>Mounting Hole</h3>  <p>Thickness:1.5~2.5</p> <p>Thickness:0.7~2.5</p>
Contact Resistance	50m ohm Max.	
Insulation Resistance	DC 500V 100M ohm Min.	
Dielectric Strength	AC 1500V 1 minute	
Operation Temperature	-25°C~85°C	
Switch Function	4P DPST ON-OFF	



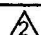
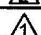
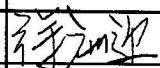
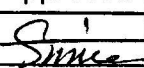
Frame: Black, Nylon 66
 Actuator: Red, PC
 Waterproof rubber: Black, Silicone
 Terminals: Silver plated, Copper alloy
 Printed: None
 Waterproof: IP65

Circuit Diagram



原稿
2017.11.13
研發部

Tolerances ±0.3 Unless Otherwise Specified

10/20/17	曾敏捷	改善開關裝配強度,卡耳加膠加強,耳朵形狀變更,并更新外觀圖			
10/17/14	黃洋	依零件圖和BOM表更新本體刻字,增加220-250V標籤,更新圖面.			
Date	Name	Description			No.
Drawn	Checked	Approved	BOM No.	Model Name	ROCKER SWITCH
曾敏捷			Customer No.	Model No.	B1322
10/20/17	10/20-17	10/20-17	Unit	mm	SHALLIN ELECTRONICS CO., LTD.
					Rev. 2