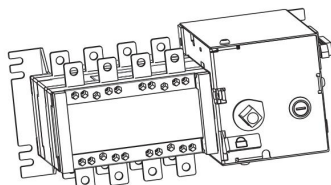


Automatic Transfer Switch Product Catalog





Automatic Transfer

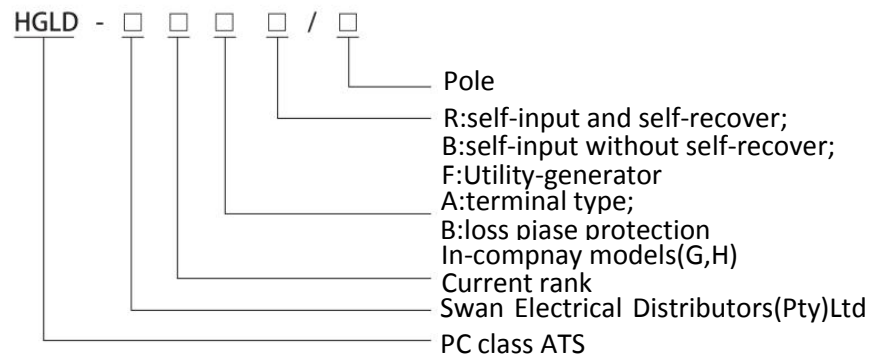
Brief Introduction

- HGLD automatic transfer switch(ATSE)is set the switches and control logic integrated without additional controller,achieve integration of automatic electromechanical switch,voltage detection,frequency detection,communication interface,electrical,mechanical interlocking functions,automatic,electrical remote emergency manual control.
- This is the logical control panel from various logical order to manage the machines,operate with the gearbox to achieve,switching spring motor storage,instantaneous release of the acceleration,rapid access to sub-circuit or circuits conversion,it is obvious by the state security confinement,greatly improved the performance of various electrical and mechanical properties.
- HGLD switches overall design for the metal shell,compact solid.HGLD switches,control of some of the mental shell,the shell switching components used fiberglass unsaturated polyester resin manufacturing,with a strong dielectric properties,protection and reliability of the automatically.
- Switch power supply system applicable to changeover the main power supply and backup power supply automatically or two sets load equipment and safety isolation automatically.
- Switch appearance is beautiful,creative,small size,the entire function is an ideak choice in different occasions.

Standards

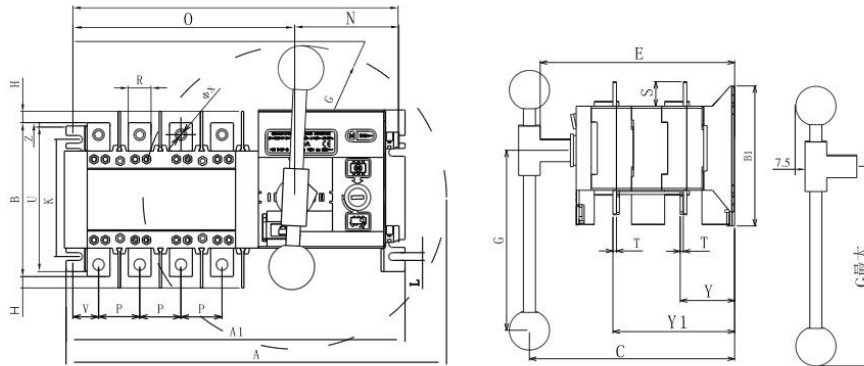
- IEC60947-1(1998)/GB/T4048.11-2002 “low voltage switchgear and control equipment general”
- IEC60947-3(1999)/GBI4048.3-2002 “low voltage switchgear and control equipment,low voltage switches,disconnectors,Switches and electrical fuse combination”
- IEC60947-6(1999)/GBI4048.11-2002 “Low voltage switchgear and equipment multifun ctional no.1:automatic transfer switches”

The model of ATS and it' s meaning



Products usage

- HGLD series automatic transfer switch is applicabled in AC50HZ, rated voltage of 380V, rated voltage of 220V DC, and distribution the rated current from 16A to 3200A, in motor network, there is a primary and standby power, or as the utility to generator in loading changeover. At the meanwhile, it used to insulate in unfrequent connection break circuit as the standby power.
- This products are widely used in hospitals, banks, high-rise architecture and so on, which are very important place disallow the failure to supply, distribution and automation system



20A~1600A Installation dimensions

Size	A	A1	B	B1	C	E	G	H	J	K	L	N	O	P	R	S	T	U	V	Y	Y1	Z	
20A-100A	280	244	107	103	150	140	115	19	226	84	7	83.5	142.5	30	14	18	2.5	103	13	6	41.5	93	2
125A-160A	360	303	135	142	213	200	145	10	285	117	7	93	192	36	20	25	3.5	127	21	9	55.5	127.5	4
250A	420	362	159	142	213	200	145	6	343	103	7	93	250	50	25	28	3.5	141	29	11	58	131.5	9
400A/3P	530	370	234	222	286	275	245	20	365	179	9	97	268	65	32	37	5	222	38	11	83	193	6
400A/4P	590	430	2340	222	286	275	245	20	425	179	9	97	328	65	32	37	5	222	38	11	83	193	6
630A/3P	530	370	250	222	286	275	245	20	365	179	9	97	268	65	40	45	6	222	38	11	83.5	193.5	14
630A/4P	590	430	250	222	286	275	245	20	425	179	9	97	328	65	40	45	6	222	38	11	83.5	193.5	14
800A-1000A 3P	785	520	328	250	351	340	360	20	503	220	11	88	415	120	60	64	8	250	59	13	109	254	39
800A-1000A 4P	1080	634	328	250	351	340	540	20	617	220	11	88	529	120	60	64	8	250	59	13	109	254	39

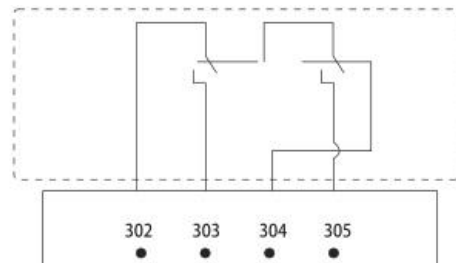
Manual instruction

Note: The customers can choose one of the following 6 wiring methods, economical type users only need to import the copper, then do not need another 2 lines, 302-305 is the indication of the switch, users can connect themselves if needed.

1. Wiring method of economic type (only below 100A)

100eonomic type automatic transfer switch, Users connect the main power, stand by power to the terminal rafts then it can work. When the two-way power switch are all normal access to the main power supply for the load. If the power supply is failure, then will transfer to standby power (standby power should be normal), it will change back to main power when the main power is normal again.

The economic type below 100, Control power directly from the mains supply by the manufacturer within the introduction. If users need the main power supply, standby power switch on instructions, wiring method see as below:



Note: Within the dashed border for the auxiliary contact of HGLD switch

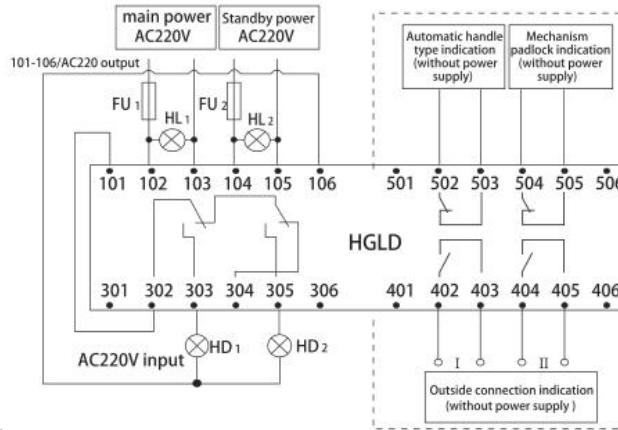
I: main power indication

II: standby power indication

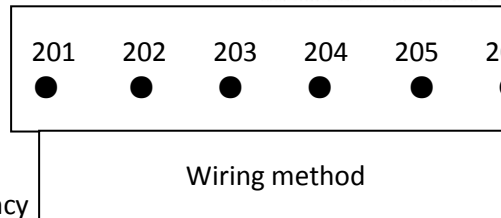
220V input load switch state indication



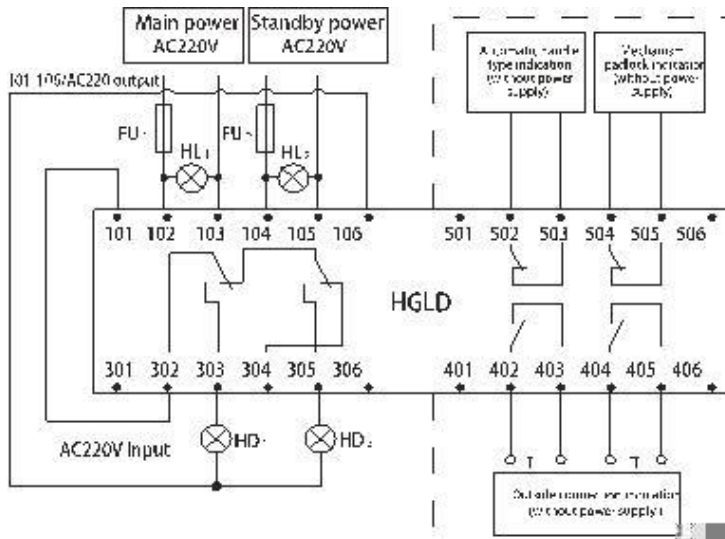
2. Automatic wiring method (for rated current 20A~3200A)



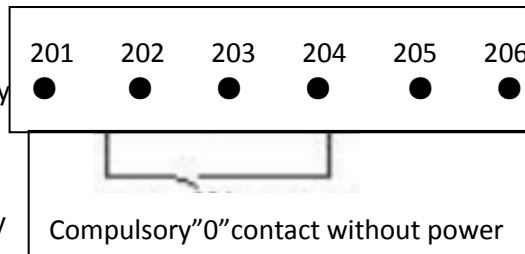
- 1) HL1 is the indication for normal power incoming telegram;
- 2) HL2 is the indication for emergency power incoming telegram;
- 3) HD1 is the indication for normal power deviation;
- 4) HD2 is the indication for emergency power deviation;



- 5) FU1, FU2 are the fuse for 2A;
- 6) 101~106, 201~206, 301~306 is the switch terminal for YES1-GA
- 7) 401~406, 501~506 the switch terminal could be chosen.



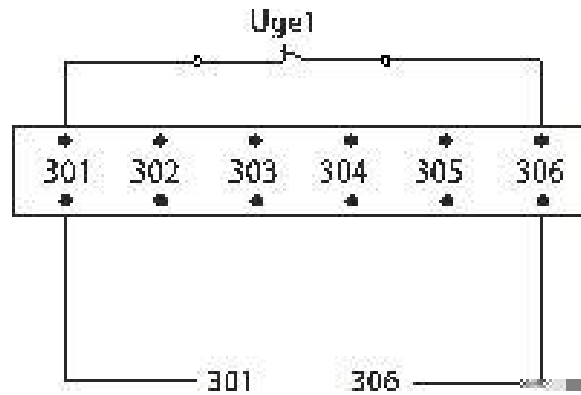
- 1) HL1 is the indication for normal power incoming telegram;
- 2) HL2 is the indication for emergency power incoming telegram;
- 3) HD1 is the indication for normal power deviation;
- 4) HD2 is the indication for emergency power deviation;



- 5) FU1, FU2 are the fuse for 2A.
- 6) 101~106, 201~206, 301~306 is the switch terminal for YES1-GA
- 7) 401~406, 501~506 the switch terminal could be chosen.

4. Generator wiring method (for rated current 20A~3200A)

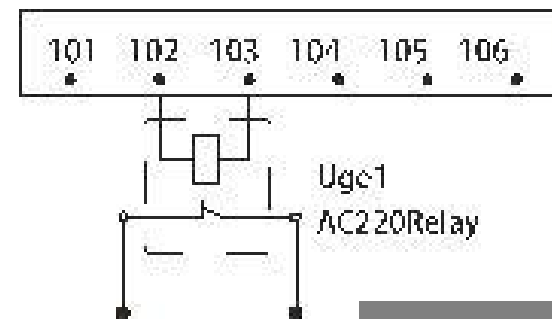
1). Without the started generators interfaces (301~306 with the word of Uge1) Instruction;



Uge1 is the inside switch of AC220-voltage relay 301~306 is the port to start the generator

Then start generating passive touch interfaces

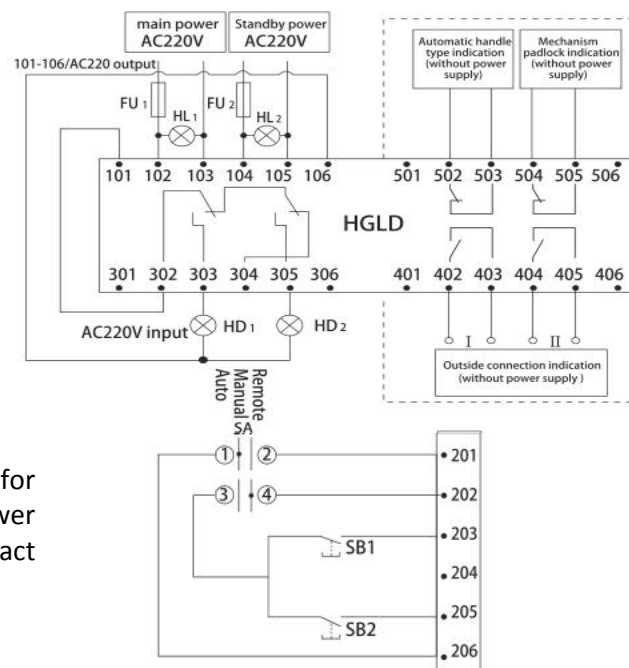
2). Without the started generators interfaces (301~306 without the word of Uge1)



Then start generating passive touch interfaces

NOTE: Contact output capacity 250VAC/5A, 380VAC/3A

5. Automatic+Manual (Remote Control) wiring method (for rated current 20A~630A)

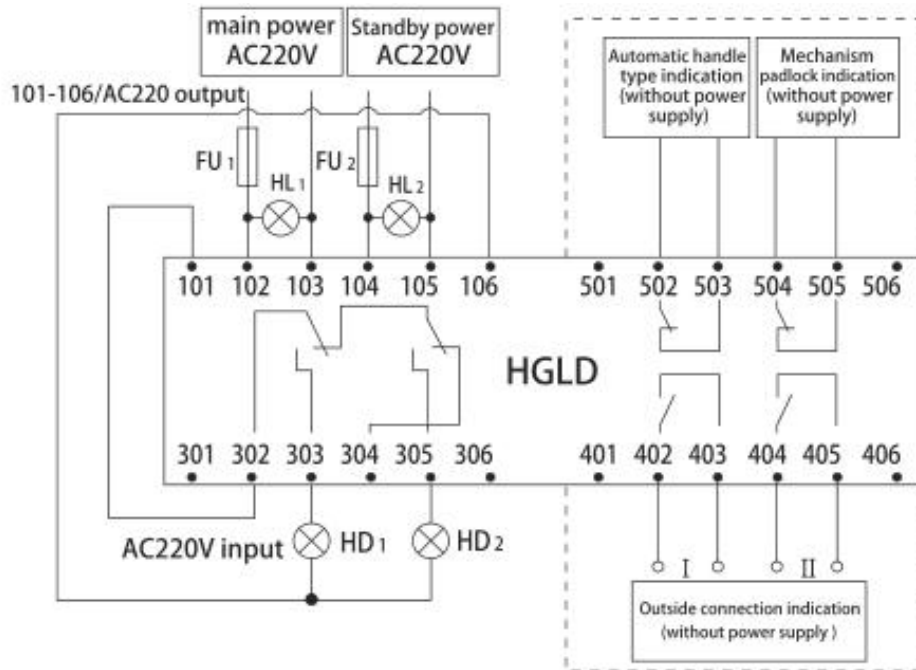


1) SA: Auto/Manual function selection switch

2) SB1, SB2: are respective for normal power, emergency power handle input push button (contact without power)

3) 401~406, 501~506: the switch terminal could be chosen.

6. Remote control(only manual)wiring method(for rated current 20A~60A)

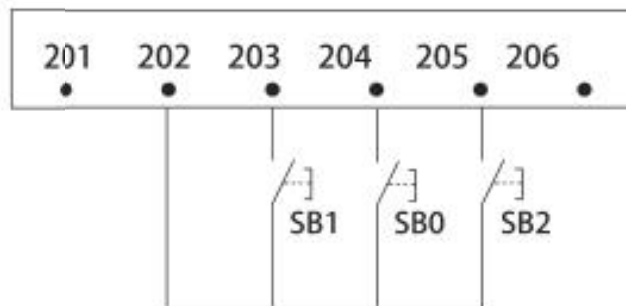


1)SB0:force to put"0"button.

SB1:is normal power manual button
SB2:is standby power manual input button(dry contact)

2)401~406,501~506the switch terminal could be choose.

3)The function of force to put"0"from20A~630A can be choose





**SWAN
ELECTRIC**

Swan Electrical Distributors (Pty) Ltd

**15A Reedbuck Crescent Midrand
Johannesburg South Africa
Tel: +27 11 314 - 0202
Fax: +27 11 314 - 2782
<http://swan-electrical.co.za>**
