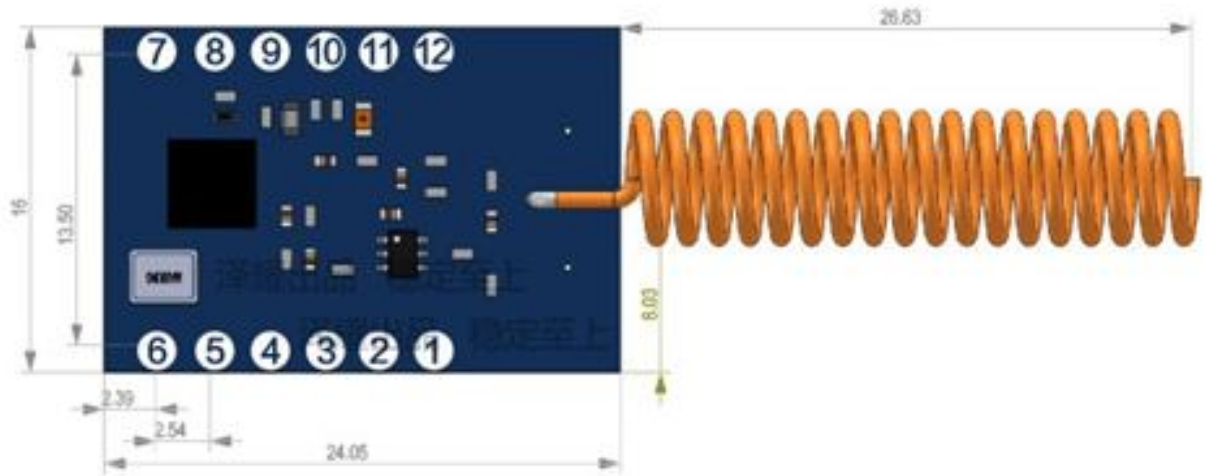


PRODUCT INFORMATION

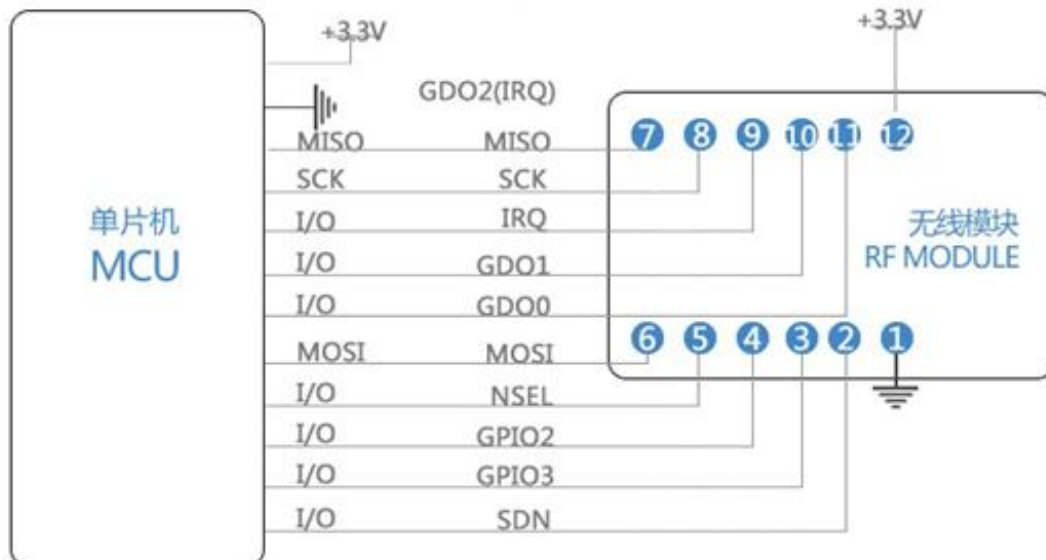
Model: AS10-M4463D-TH
Interface: SPI
Chip: SI4463
Central frequency band: 433M
Max power: 100mW
Supply voltage: 1.8-3.6V
Data rate: 0.1-500k
Antenna: spring
Packaging: 2x6x2.54 DIP outline
Size: 16x24mm
Transmitting current: 92mA
Distance: 2000M

Features: stability, commonality, long-distance

PRODUCT SIZE



SCHEMATICS



PIN NO.	PIN name	Pin's direction	Application
1	GND		Power supply of the module
2	SDN	Input	Enable the module to control the pin, working at low-level
3	GPIO3	Input/output	Connect the emission of RF switch, or controlled by SI4463
4	GPIO2	Input/output	Connect the emission of RF switch, or controlled by SI4463
5	nSEL	Input	Choose the pin and start to use a SPI
6	MOSI	Input	Input the SPI data of the module to the pin
7	MOSO	output	Input the SPI data of the module to the pin
8	SCK	output	Input the SPI data of the module to the pin
9	nIRQ	output	Block the module and then output the pin
10	GPI1	Input/output	Configurable GPIO interface
11	GPI0	Input/output	Configurable GPIO interface
12	VDD		Supply power range: 1.8-3.6V. 3.3V is recommended. Use the ceramic filter capacitor.