

RoHS COMPLIANT

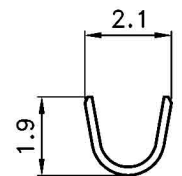
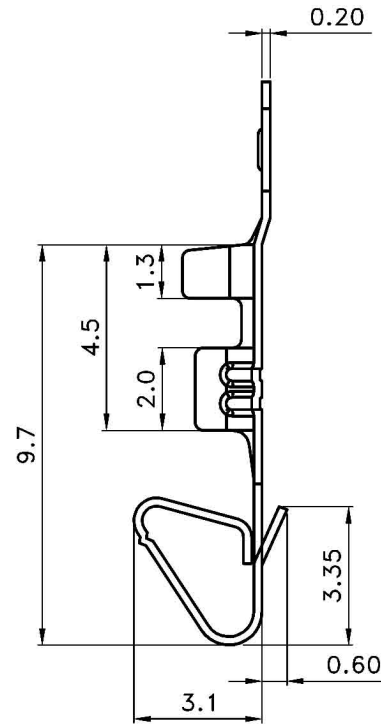
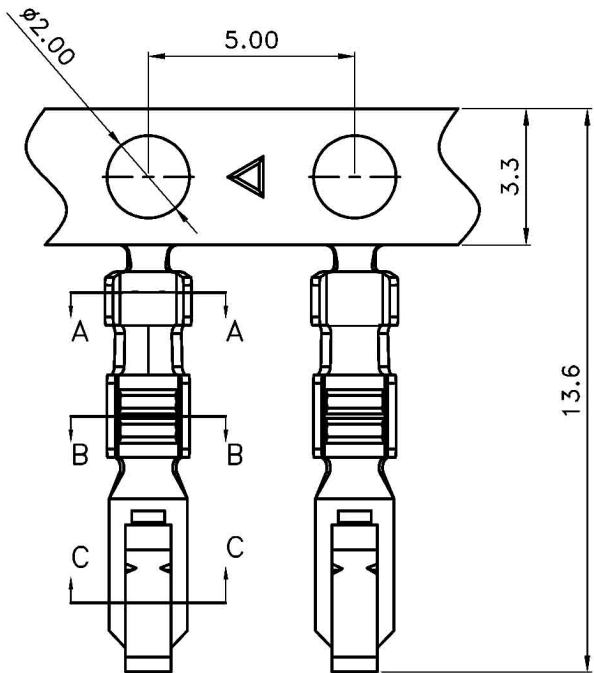
REV	ECN NO.	DESCRIPTION	DATE
A		RELEASE	MAY. 12'03
B		REDRAW	DEC. 12'07
C		MODIFY P/N	JAN. 25'11
D		REDRAW	MAY. 16'12

SPECIFICATIONS

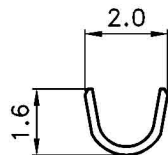
- Voltage Rating : 250V AC/DC
- Current Rating : 3A AC/DC
- Withstanding Voltage : 1000V AC/minute
- Insulation Resistance : 1000MΩ min
- Temperature Range : - 25°C to + 85°C
- Contact Resistance : 20mΩ max

TERMINAL

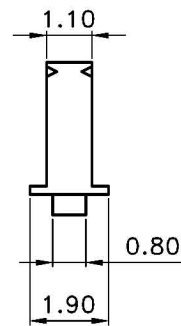
- Applicable Wires : AWG # 24 - 28
- Material : Brass, Phos. Bronze
- Finish : T= Tin Plated, G= Gold Flash
- Thickness : 0.2 mm
- Q' ty : 10000 pcs./Reel



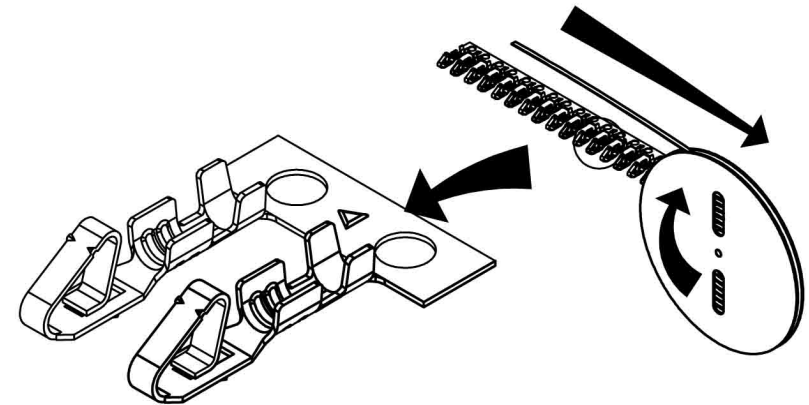
A-A SEC



B-B SEC



C-C SEC



TOLERANCE UNLESS OTHERWISE SPECIFIED		PROJECTION	ETK GOLD-TEK ELECTRIC CO., LTD.											
<table border="1"> <thead> <tr> <th>LINEAR</th> <th>ANGLE</th> </tr> </thead> <tbody> <tr> <td>X. ±</td> <td>X° ±</td> </tr> <tr> <td>.X ± 0.30</td> <td>.X° ±</td> </tr> <tr> <td>.XX ± 0.20</td> <td>.XX° ±</td> </tr> <tr> <td>.XXX ±</td> <td>.XXX° ±</td> </tr> </tbody> </table>		LINEAR	ANGLE	X. ±	X° ±	.X ± 0.30	.X° ±	.XX ± 0.20	.XX° ±	.XXX ±	.XXX° ±		TITLE	PART NO.
LINEAR	ANGLE													
X. ±	X° ±													
.X ± 0.30	.X° ±													
.XX ± 0.20	.XX° ±													
.XXX ±	.XXX° ±													
APPD		UNITS	2.54MM TERMINAL	8001T(G)										
CHKD		MM		CAD NO. I056										
DRAW	Z	SCALE	CPART NO.	F:\PDF\HW\HW-0021										
		SIZE		SHEET 1 OF 1										
		A4		圖面編號:GTKSD0004-D(1)										
	MAY. 16'2012													