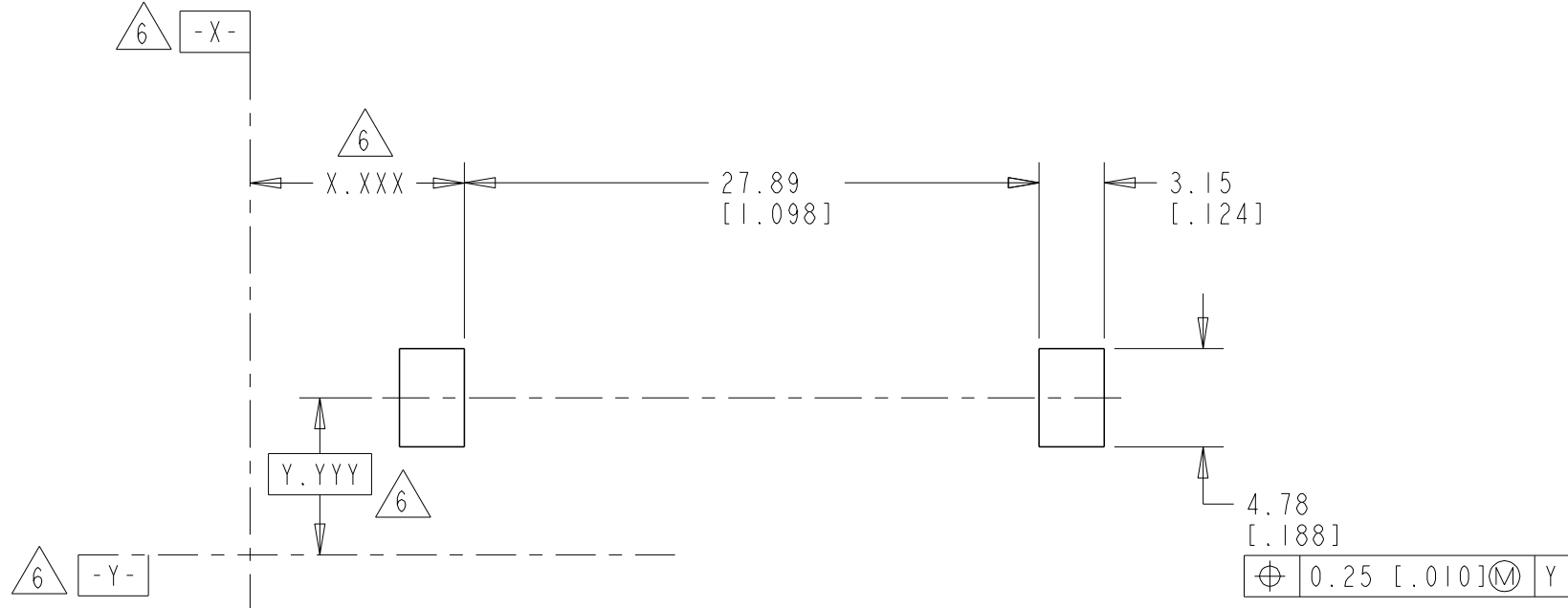
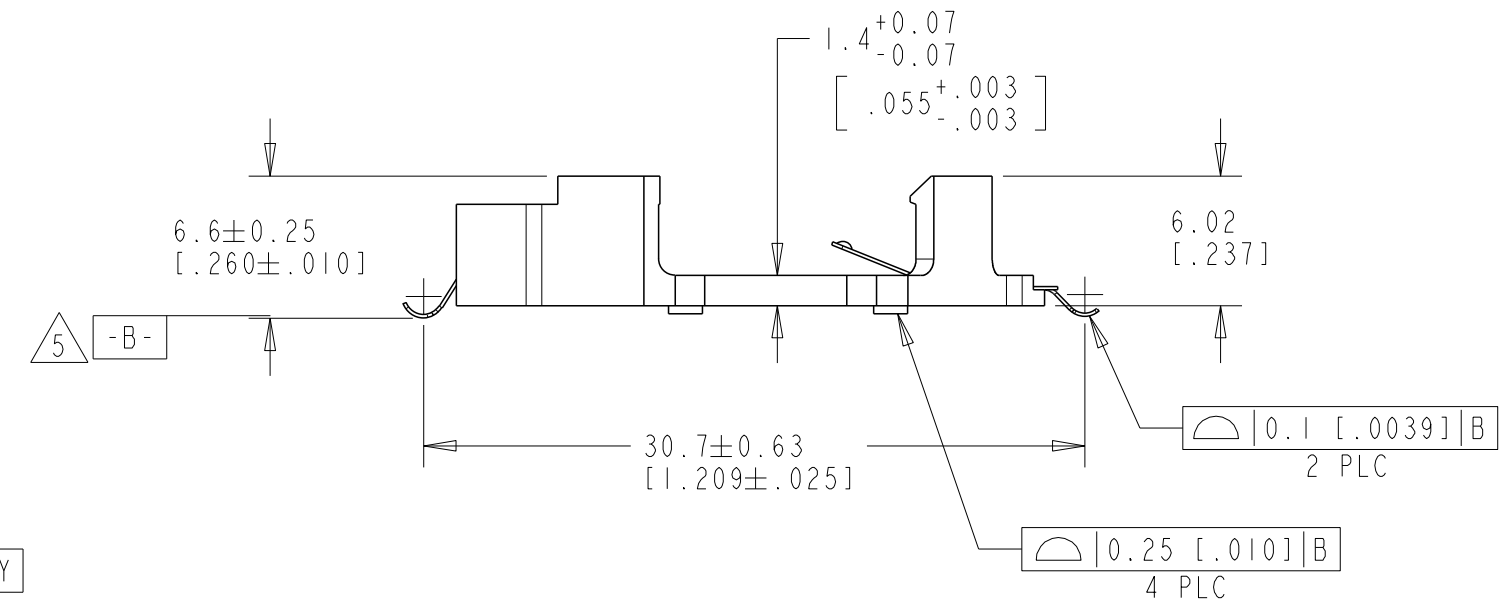
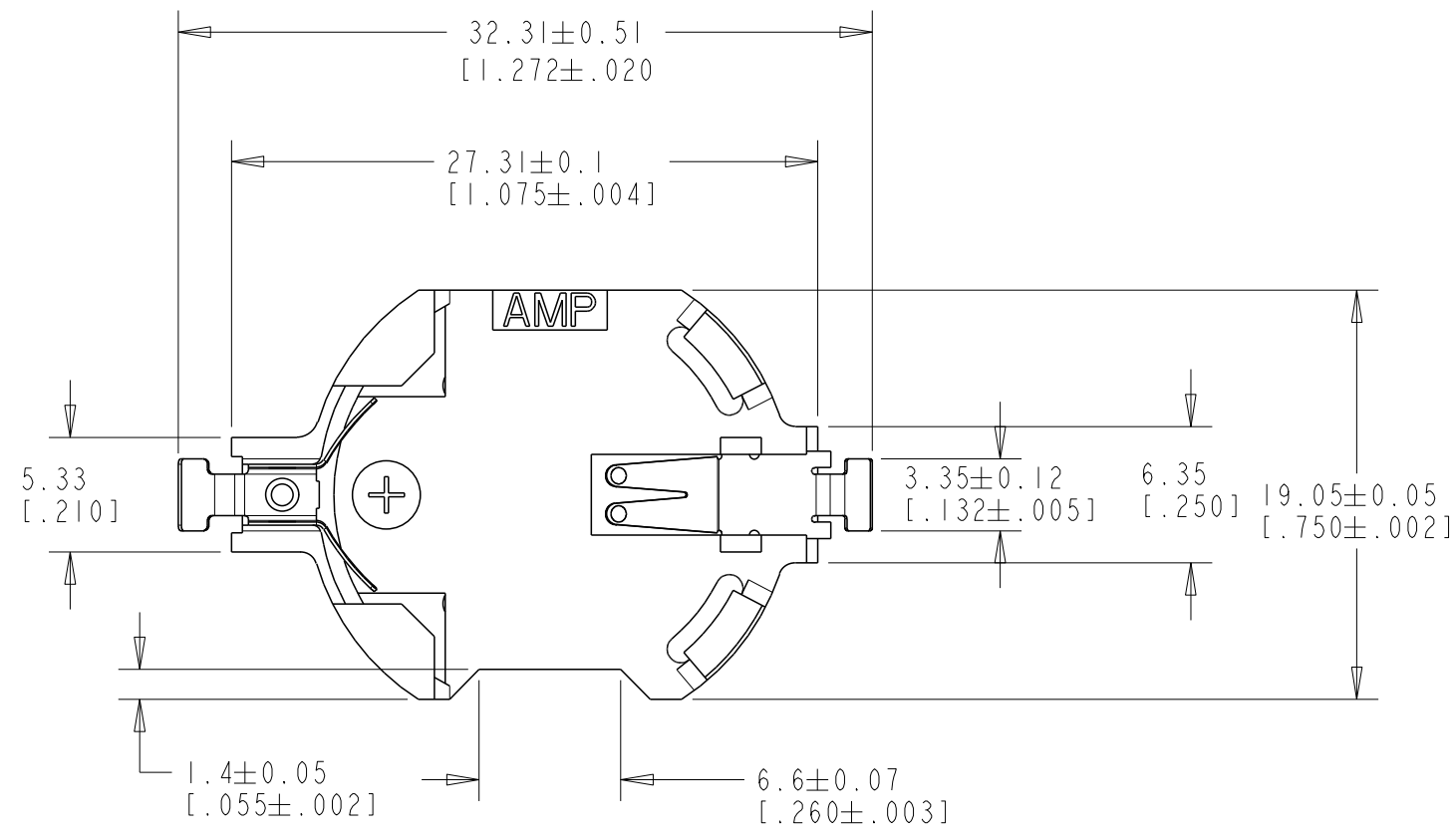
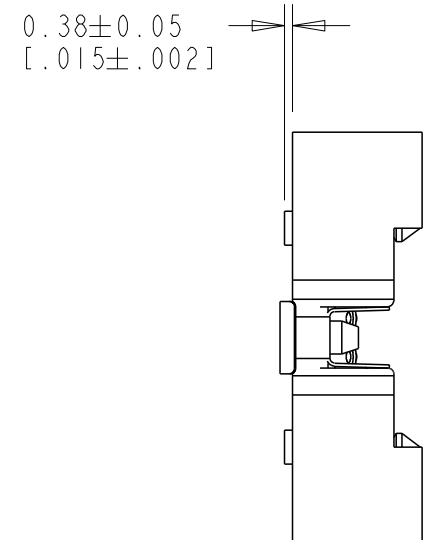
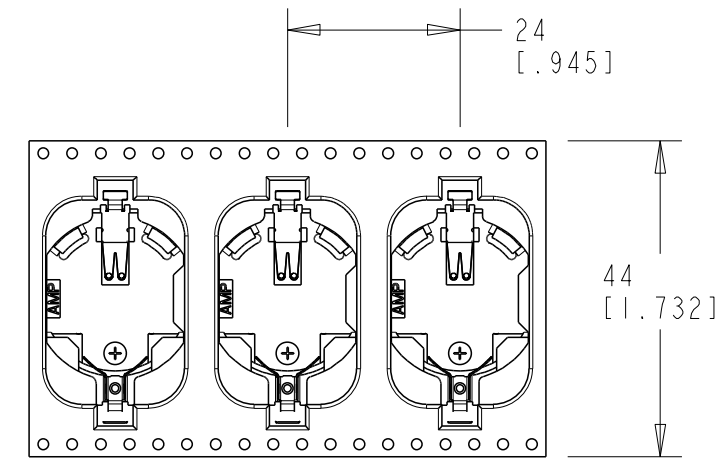
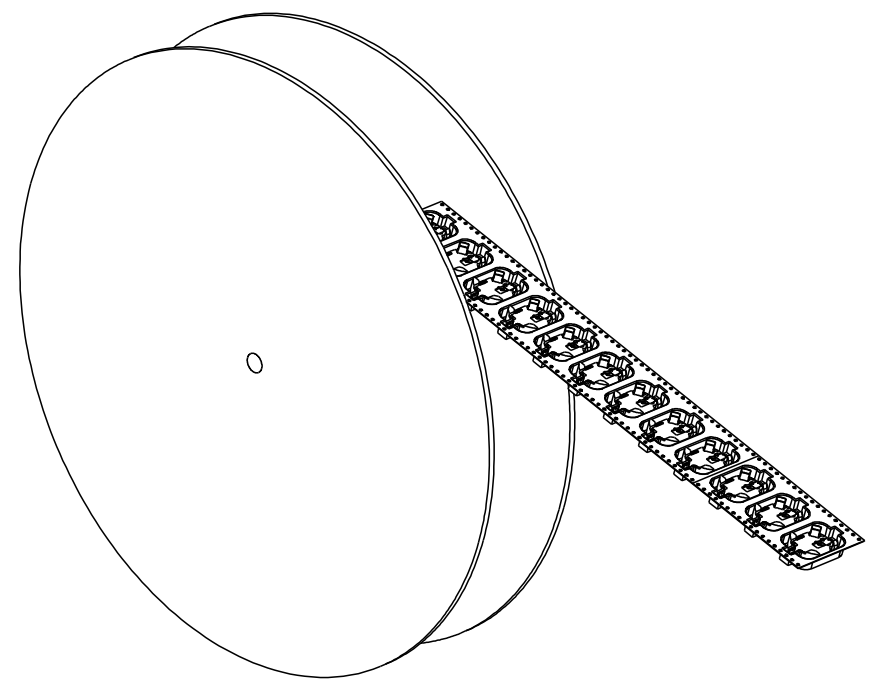
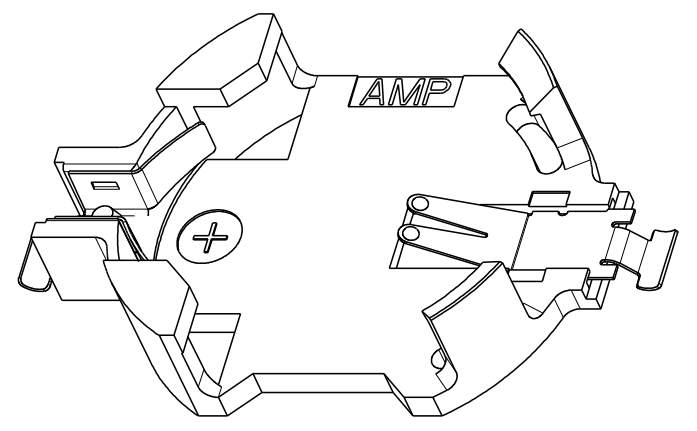
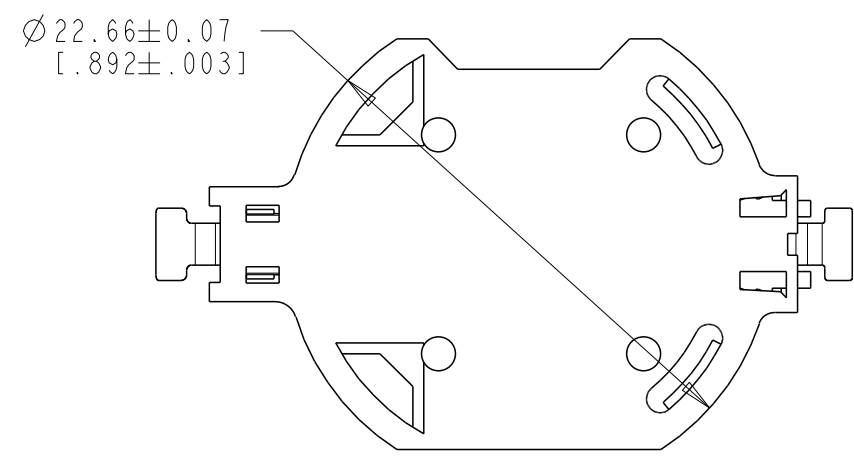


LOC		DIST		REVISIONS			
P	LTR	DESCRIPTION	DATE	DWN	APVD		
AD	00						
		DI	REVISED PER ECR-10-010082	11MAY10	D.S	S.Y	

- 1 HOUSING: HIGH TEMPERATURE 94V-0 RATED LCP
COLOR NATURAL.
- CONTACTS: PHOSPHOR BRONZE.
- 2 CONTACTS: 0.0200-0.0004[.000080-.000157] TIN.
- 3. CONNECTOR ACCEPTS BATTERY CR2032.
- 4. PACKAGING: TAPE AND REEL.
TAPE & SPROCKET HOLES DIMENSIONS
PER EIA-481-3 WITH 330.0 [13.0] DIA. CARDBOARD SIDES
- 5 DATUM **-B-** IS ESTABLISHED BY ANY CONTACT OR
HOUSING SURFACES CONTACTING A REFERENCE PLANE.
- 6 DATUMS AND DIMENSIONS ESTABLISHED BY CUSTOMER.



RECOMMENDED PC BOARD LAYOUT



DIRECTION OF FEED
OFF TOP OF REEL

<small>THIS DRAWING IS A CONTROLLED DOCUMENT FOR TYCO ELECTRONICS CORPORATION IT IS SUBJECT TO CHANGE AND THE CONTROLLING ENGINEERING ORGANIZATION SHOULD BE CONTACTED FOR THE LATEST REVISION.</small>		DWN J.GERACE 13AUG99 CHK K.BENJAMIN 13AUG99 APVD K.BENJAMIN 13AUG99	AMP Incorporated Harrisburg, PA 17105-3608
DIMENSIONS: mm [INCHES]	TOLERANCES UNLESS OTHERWISE SPECIFIED: 0 PLC ±.05 [0.02] 1 PLC ±0.13 [0.005] 2 PLC ±0.050 [0.0020] 3 PLC ±.05 [0.0020] 4 PLC ±.05 [0.0020] ANGLES ±5	NAME ASSEMBLY BATTERY CONNECTOR, SURFACE MOUNT, TOP LOAD	PART NUMBER 796136-1
MATERIAL 1	FINISH 2	APPLICATION SPEC PRODUCT SPEC WEIGHT CUSTOMER DRAWING	SIZE A2 CAGE CODE 00779 DRAWING NO. C-796136 RESTRICTED TO SCALE 3:1 SHEET 1 OF 1 REV D1

796136