

**MATERIAL & FINISH**

HOUSING: PBT. UL94V-0

CONDUOR: 0.45 mm diameter phosphor bronze,  
Gold plated over Nickel.

SHIELD: 0.25 mm bronze nickel Plated.

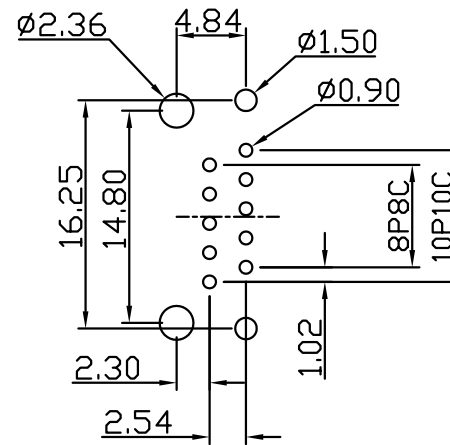
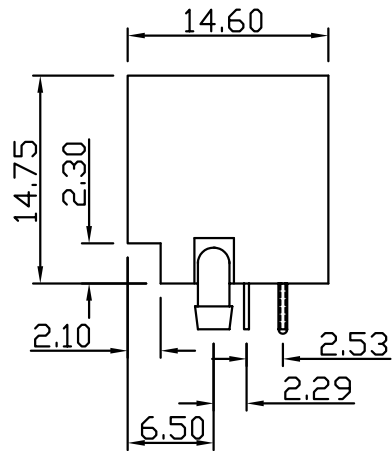
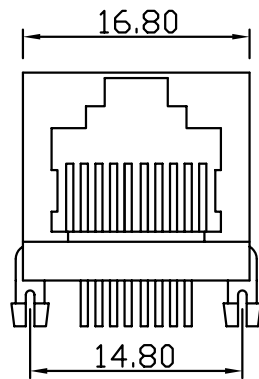
How to order

7810-XPXC


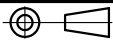
1 2

1. No. of position (8P or 10P)

2. No. of contact (8 or 10C)



PCB LAYOUT / TOP VIEW

				<b>DRAWN:</b> Jerry Chen	<b>GENERAL TOLERANCE:</b> ±0.2	 <b>繼德工業股份有限公司</b> <b>Neltron Industrial Co., Ltd.</b>	
<b>E</b>				<b>CHECKED:</b> Jeremy	<b>UNIT:</b> mm		<b>DESCRIPTION:</b> SHIELDED, SIDE ENTRY
<b>D</b>				<b>APPROVAL:</b>	<b>SCALE:</b>	<b>PART NO:</b> 7810-XPXC	A4
<b>C</b>				Jerry Chen	<b>SHEET:</b> 1 / 1		
<b>B</b>				Mike	<b>PROJECTION:</b> 		
<b>A</b>	18-JUL-2004	(CL3)	Jerry Chen				
<b>REV</b>	<b>DATE</b>	<b>FILE</b>	<b>BY</b>				