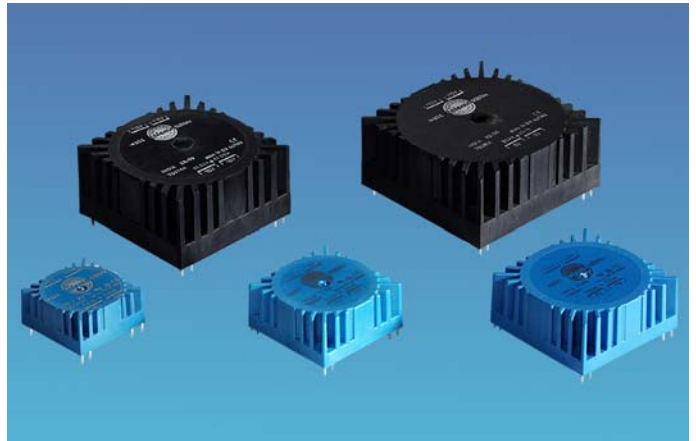




Toroidal PC Transformers • 1.6VA - 50VA

- Dual 115V or 120V primaries for parallel or series connection
- low profile - small size and low weight
- low magnetic interference field
- low noise
- high efficiency
- reduced "standby" current
- ease of mounting - M4 central bush
- Test Voltage Primary - Secondary 4.0 kV
- Ambient operating temp.: +60°C max. 1.6VA - 25VA; +40°C max. 35VA - 50VA
- Insulation system recognized for Class A (105°C) and meets all requirements of Class E (125°C)
- UL & VDE recognized



Standard Outputs (Electrical measurements @ 20°C ambient temperature)

Power VA	Weight Cu gram	No Load Regulation $\Delta V/\text{Sec.}$ (%)	Δt °C	Efficiency %	No Load mA (typ.)	230V Fuse mA	Secondary Range (Max.)				
							VA	$\Delta V / \text{sec.}$ %	Δt °C	Efficiency %	Rec. Fuse mA
1.6	82	29	10	77	1.0	32	2.0	60	30	60	32
3.2	110	43	20	70	1.5	32	3.7	80	40	50	50
5.0	144	40	29	68	2.0	50	5.5	80	40	50	63
7.0	174	34	25	74	3.0	63	7.5	70	40	60	80
10	252	20	24	82	3.0	80	12.0	60	45	60	100
15	304	23	27	80	4.0	100	16.0	60	40	65	125
25	435	19.0	28	83	5.0	160	--	--	--	--	--
35	525	17.7	31	81	7.0	200	--	--	--	--	--
50	685	15.5	30	86	8.0	315	--	--	--	--	--

Power VA	Part Number		Secondary		
	2 x 115V	2 x 120V	Full Load V	Current mA	Open Circuit V
1.6	70000K	72400K	2 x 7	114	2 x 8.9
	70001K	72401K	2 x 9	89	2 x 11.6
	70002K	72402K	2 x 12	67	2 x 15.4
	70003K	72403K	2 x 15	53	2 x 19.3
	70004K	72404K	2 x 18	44	2 x 23.4
	70005K	72405K	2 x 22	36	2 x 28.2
	3.2	70010K	72410K	2 x 7	229
70011K		72411K	2 x 9	178	2 x 13.0
70012K		72412K	2 x 12	133	2 x 17.3
70013K		72413K	2 x 15	107	2 x 21.4
70014K		72414K	2 x 18	89	2 x 25.7
70015K		72415K	2 x 22	73	2 x 31.3
5.0		70020K	72420K	2 x 7	357
	70021K	72421K	2 x 9	278	2 x 12.4
	70022K	72422K	2 x 12	208	2 x 17.0
	70023K	72423K	2 x 15	167	2 x 21.3
	70024K	72424K	2 x 18	139	2 x 25.5
	70025K	72425K	2 x 22	114	2 x 30.5
	7.0	70030K	72430K	2 x 7	500
70031K		72431K	2 x 9	389	2 x 12.2
70032K		72432K	2 x 12	292	2 x 16.2
70033K		72433K	2 x 15	233	2 x 20.3
70034K		72434K	2 x 18	194	2 x 24.3
70035K		72435K	2 x 22	159	2 x 29.7
10		70040K	72440K	2 x 7	714
	70041K	72441K	2 x 9	556	2 x 10.8
	70042K	72442K	2 x 12	417	2 x 14.4
	70043K	72443K	2 x 15	333	2 x 18.0
	70044K	72444K	2 x 18	278	2 x 21.7
	70045K	72445K	2 x 22	227	2 x 26.3

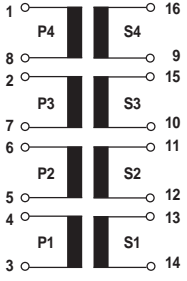
Power VA	Part Number		Secondary		
	2 x 115V	2 x 120V	Full Load V	Current mA	Open Circuit V
15	70050K	72450K	2 x 7	1071	2 x 8.9
	70051K	72451K	2 x 9	833	2 x 11.1
	70052K	72452K	2 x 12	625	2 x 14.8
	70053K	72453K	2 x 15	500	2 x 18.5
	70054K	72454K	2 x 18	417	2 x 22.2
	70055K	72455K	2 x 22	341	2 x 27.2
	25	70060K	72460K	2 x 7	1785
70061K		72461K	2 x 9	1377	2 x 10.7
70062K		72462K	2 x 12	1041	2 x 14.3
70063K		72463K	2 x 15	832	2 x 17.8
70064K		72464K	2 x 18	694	2 x 21.4
70065K		72465K	2 x 22	568	2 x 26.2
35		70070K	72470K	2 x 7	2500
	70071K	72471K	2 x 9	1944	2 x 10.6
	70072K	72472K	2 x 12	1458	2 x 14.0
	70073K	72473K	2 x 15	1166	2 x 17.6
	70074K	72474K	2 x 18	972	2 x 20.9
	70075K	72475K	2 x 22	795	2 x 25.7
	50	70080K	72480K	2 x 7	3571
70081K		72481K	2 x 9	2777	2 x 10.4
70082K		72482K	2 x 12	2083	2 x 13.9
70083K		72483K	2 x 15	1666	2 x 17.3
70084K		72484K	2 x 18	1388	2 x 20.8
70085K		72485K	2 x 22	1136	2 x 25.4

Primaries and secondaries for parallel or series connection.

Dimensions and schematics on page 12

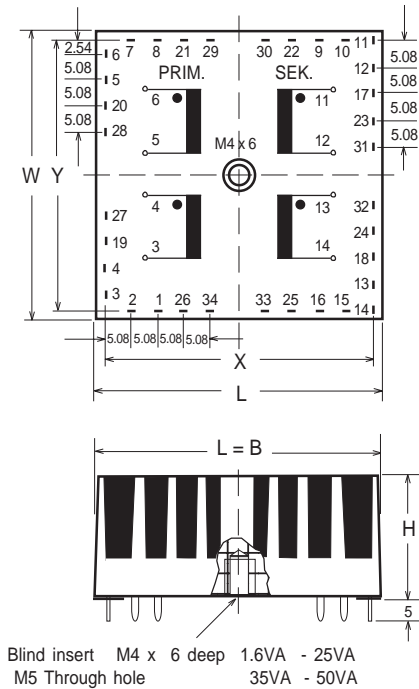
Dimensions - 7XXXX Series					
Power VA	Dimensions L x W x H mm	Pin Layout		Weight gram	Pin Availability
		XY mm	Pin Size mm		
1.6	39.6x39.6x18.5	35.56	1.0x0.5	82	1 - 16
3.2	44.7x44.7x19.5	40.64	1.0x0.5	110	1 - 18
5.0	49.7x49.7x19.5	45.72	1.0x0.5	144	1 - 18
7.0	49.7x49.7x23.1	45.72	1.0x0.5	174	1 - 18
10	55.0x55.0x26.0	50.80	1.0x0.5	252	1 - 18
15	60.0x60.0x26.3	55.88	1.0x0.5	304	1 - 20
25	60.0x60.0x37.5	55.88	1.0x0.5	435	1 - 20
35	72.0x72.0x37.5	66.04	Ø 1.3	525	1 - 26
50	82.4x82.4x37.5	76.20	Ø 1.3	685	1 - 34

Example of Schematic to customer specification			
Special Voltages - 1.6VA to 50VA			
Primary	Pin No.	Secondary	Pin No.
1) 100 - 120V	3 - 4	1) 7 - 120V	14 - 13
2) 100 - 120V	5 - 6	2) 7 - 120V	12 - 11
3) 5 - 30V	7 - 2	3) 7 - 42V	10 - 15
4) 5 - 30V	8 - 1	4) 7 - 42V	9 - 16
5) 230V	3 - 6		

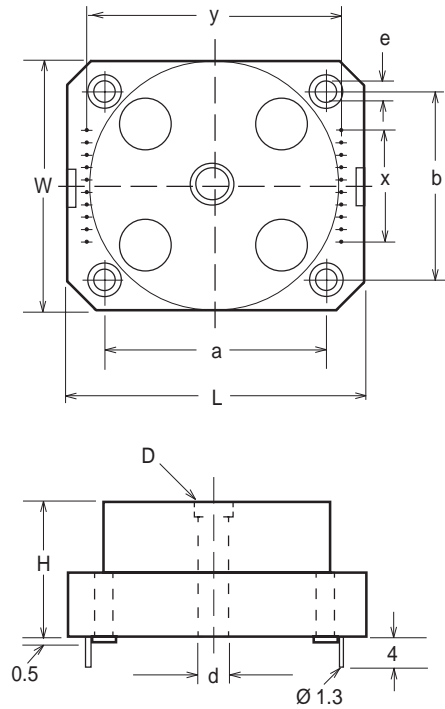


Other special voltages available upon request

70000 & 72400 Series
Pin Side



6400K & 6500K Series
Pin Side



Power VA	Dimensions - 6400K & 6500K Series										Weight kg
	L ±0.3	W ±0.2	H ±0.2	x ±0.2	y ±0.2	a ±0.2	b ±0.2	d ±0.2	e ±0.2	D (SW-Hex) ±0.2	
90	100.0	83.5	43.4	9 x 5	90	70	70	5.1	3.4	7	1.00
110	112.2	93.3	50.5	11 x 5	100	80	80	6.1	3.4	10	1.35
160	120.3	103.3	55.5	13 x 5	110	90	90	6.1	3.4	10	1.80