

REVISION RECORD

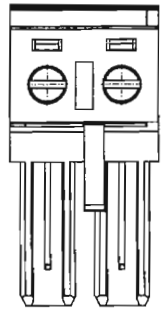
REV	ECN	DESCRIPTION	DRFT	DATE

- NOTES:
 1. DIMENSION SHALL BE INTERPRETED PER ASME Y14.5-2009.
 2. PITCH: 7.62MM , POLES: N=02-12P
 3. UL: 300V/30A
 4. VDE:

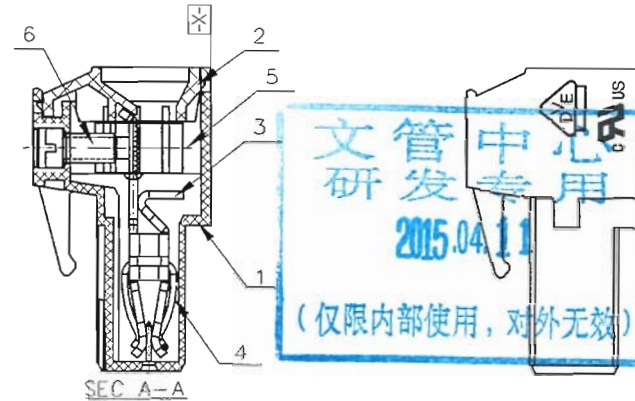
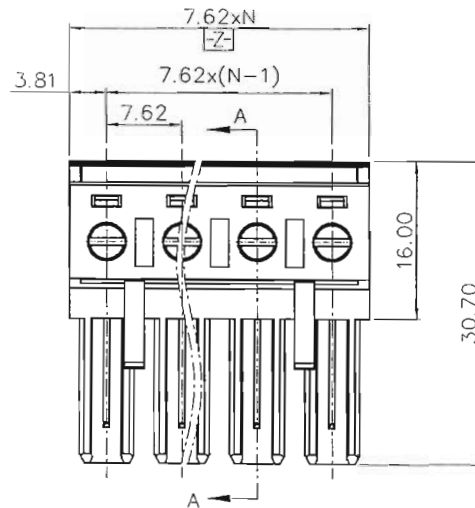
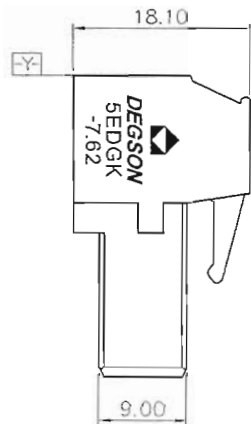
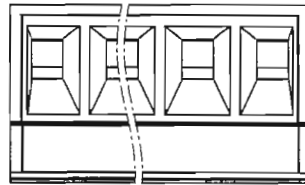
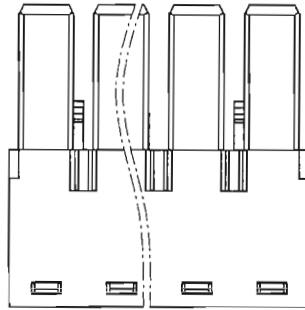
POLLUTION DEGREE	2
OVERVOLTAGE CATEGORY	III
RATED IMPULSE VOLTAGE(KV)	4.0KV
RATED VOLTAGE(V)	400V
RATED CURRENT(A)	32A

5. LOWER LIMIT TEMPERATURE: -40°C
 6. UPPER LIMIT TEMPERATURE: +105°C
 7. WIRE RANGE: 28AWG~10AWG, 0.2MM²~4MM²
 8. TORQUE VALUE: M3, 4.43LB.IN/0.5N.M.
 9. STRIPPING LENGTH: 7MM
 10. UNDIMENSIONED TOLERANCES:

PITCH RANGE IN MM		NOMINAL DIMENSION RANGE IN MM					-
TO	OVER	OVER	OVER	OVER	OVER	OVER	∅
6	6 TO 10	10 TO 24	30 TO 60	60 TO 100	100 TO 150	150 OVER	∇
	±0.10	±0.15	±0.25	±0.20	±0.30	±0.50	±1.00, 0.05/10



2P



ITEM	NAME OF PART	NO. OF PART	Q'TY	MATERIAL	NOTES
6	DG129-Screws-M3	S000001430(H)	XX	STEEL	ZN PLATED
5	PCDK4-Cage	X000001840(H)	XX	BRASS	NI PLATED
4	SEDGK-7.62-Spring	X000004930(H)	XX	STEEL	
3	SEDGK-7.62-Clamp	1244B00010(H)	XX	COPPER	SN PLATED
2	SEDGK-7.62-Cover	1244CYXXA(H)	1	PA66	UL94V-0
1	SEDGK-7.62-Housing	1244AYXXA(H)	1	PA66	UL94V-0

MM (INCH)		MATERIAL:		NINGBO GAOPING ELECTRONICS CO., LTD	
TOLERANCES EXCEPT AS NOTED		FINISH:		DEGSON® DEGSON ELECTRONICS CO., LTD	
.X ±		.X' ±		NAME:	
.XX ±		.XX' ±		5EDGK-7.62-XXP-1Y-00A(H)	
.XXX ±		.XXX' ±		TITLE: ASSEMBLY DRAWING	
ANGLES ± 1'		APPD: <i>Apron 4/1/15</i>		REV	
THIRD ANGLE PROJECTION		CHKD: <i>XLM 4/1/15</i>		TO	
DRFT: XLM 04/01/14"		DRAWING NO.: 5EDGK-7.62-E01		DO NOT SCALE DRAWING	
		SCALE N/A		SHEET 1/1	