



**MANTECH<sup>®</sup>**  
**ELECTRONICS**

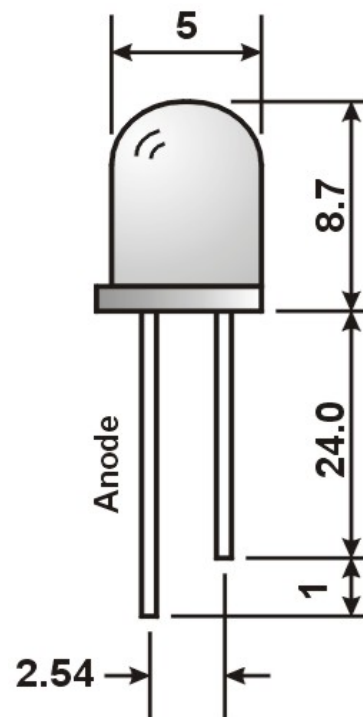
**503 PWH1-15H**

**WHITE LED 5mm - SUPER BRIGHT (Water clear)**

CHARACTERISTICS	
Size	5mm
Colour	White (X=0.31 Y=0.32)
Luminous intensity	Typ : 5,000 mcd
Viewing angle	15°
Forward voltage - DC	Typ : 3.6V
Forward current	20mA
Forward current (Pulse)	100mA (100ms Max)
Reverse voltage	5V

APPLICATIONS
<ul style="list-style-type: none"><li>• Filament Lamp Replacement</li><li>• Industrial indicators</li><li>• Panel indicators</li><li>• Beacons</li></ul>

NOTES
1. Total Power dissipation : 120mW
2. Operating temperature : -20 to +75 °C



*These specifications are subject to change without notice.*

[sales@mantech.co.za](mailto:sales@mantech.co.za)

[www.mantech.co.za](http://www.mantech.co.za)

**A MOBICON COMPANY**