

Silicon NPN Power Transistors

2SD1594

DESCRIPTION

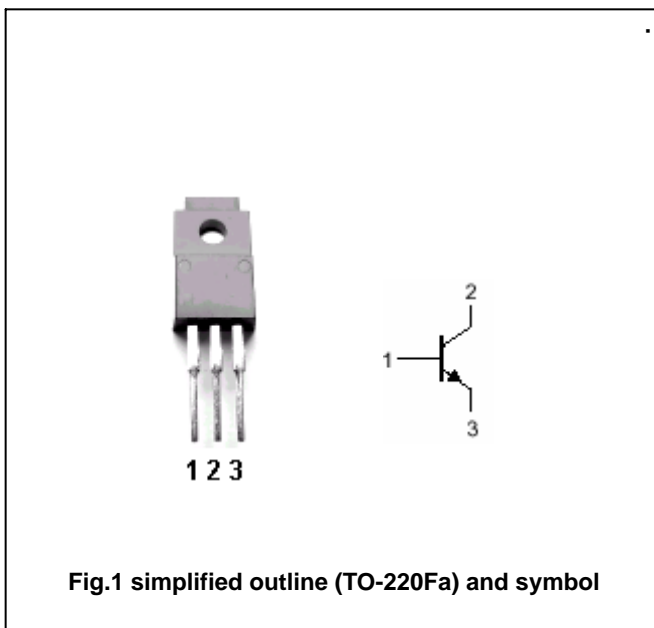
- With TO-220Fa package
- Low collector saturation voltage

APPLICATIONS

- Low frequency power amplifier
- High speed switching industrial use

PINNING

PIN	DESCRIPTION
1	Base
2	Collector
3	Emitter



Absolute maximum ratings(Ta=25)

SYMBOL	PARAMETER	CONDITIONS	VALUE	UNIT
V _{CBO}	Collector-base voltage	Open emitter	150	V
V _{CEO}	Collector-emitter voltage	Open base	100	V
V _{EBO}	Emitter-base voltage	Open collector	7	V
I _C	Collector current (DC)		7	A
I _{CM}	Collector current-Peak		15	A
I _B	Base current (DC)		3.5	A
P _C	Collector power dissipation	T _a =25	1.5	W
		T _C =25	40	
T _j	Junction temperature		150	
T _{stg}	Storage temperature		-55~150	

Silicon NPN Power Transistors

2SD1594

CHARACTERISTICS

T_j=25 unless otherwise specified

SYMBOL	PARAMETER	CONDITIONS	MIN	TYP.	MAX	UNIT
V _{CE0(SUS)}	Collector-emitter sustaining voltage	I _C =5A, I _{B1} =0.5A, L=1mH	60			V
V _{CEsat}	Collector-emitter saturation voltage	I _C =5A; I _B =0.5A			0.6	V
V _{BEsat}	Base-emitter saturation voltage	I _C =5A; I _B =0.5A			1.5	V
I _{CBO}	Collector cut-off current	V _{CB} =100V; I _E =0			10	μA
I _{EBO}	Emitter cut-off current	V _{EB} =5V; I _C =0			10	μA
h _{FE-1}	DC current gain	I _C =0.5A; V _{CE} =5V	40			
h _{FE-2}	DC current gain	I _C =3A; V _{CE} =5V	40		240	
h _{FE-3}	DC current gain	I _C =5A; V _{CE} =5V	20			

Switching times

t _{on}	Turn-on time	I _C =5A; I _{B1} =0.5A I _{B2} =-0.5A; V _{CC} =50V R _L =10			0.5	μs
t _s	Storage time				0.5	μs
t _f	Fall time				1.5	μs

◆ h_{FE-2} Classifications

R	O	Y
40-80	70-140	120-240

PACKAGE OUTLINE

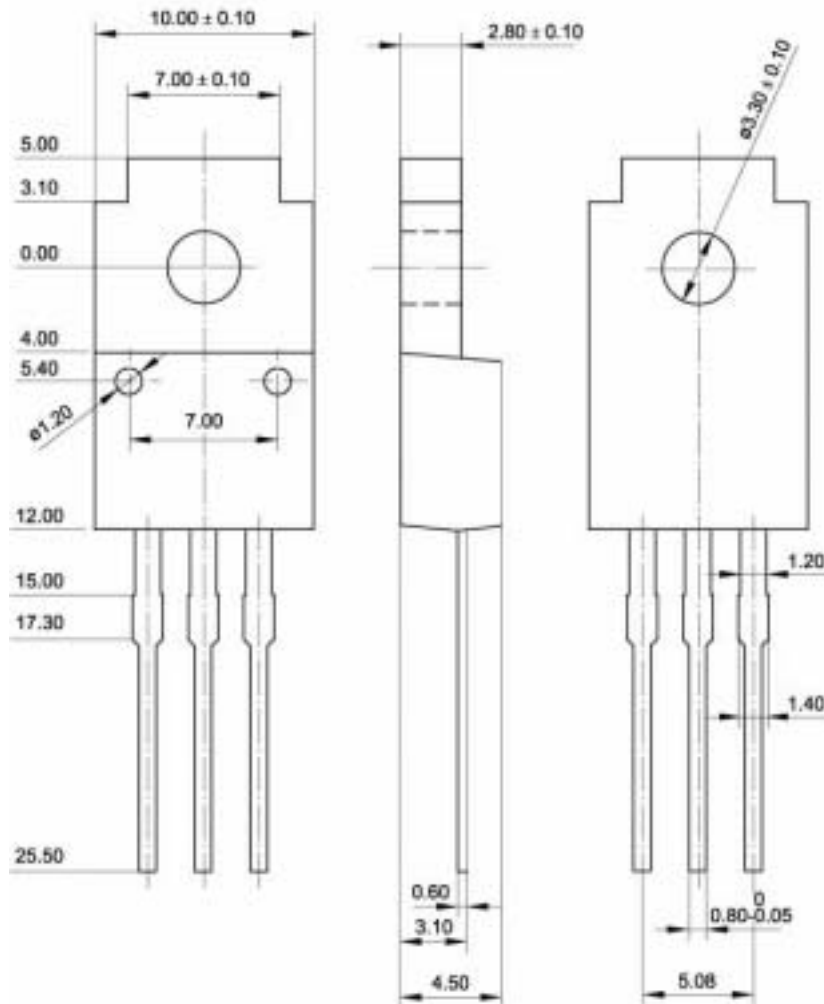


Fig.2 Outline dimensions (unindicated tolerance: ± 0.15 mm)