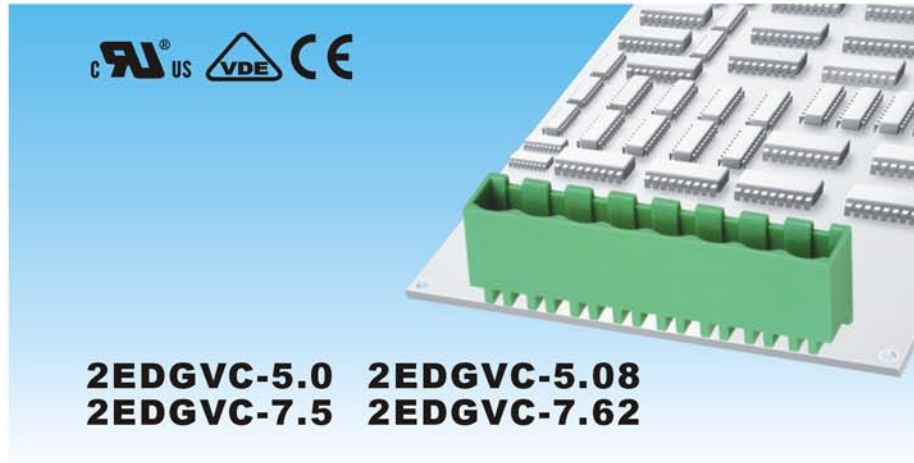


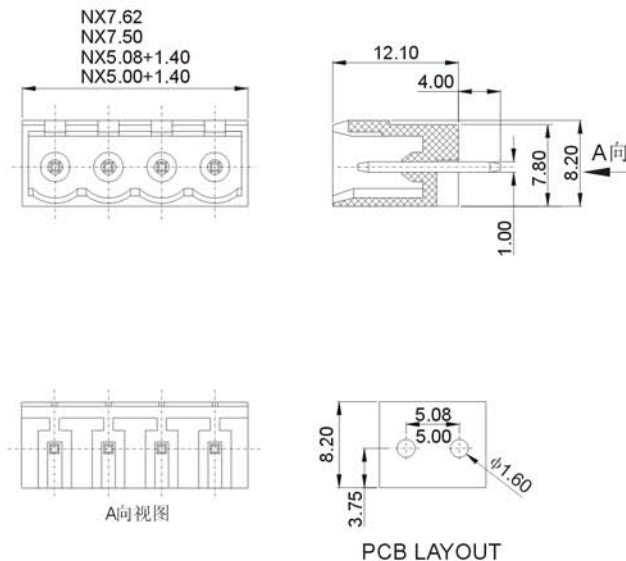


# DEGSON ELECTRONICS CO., LTD.

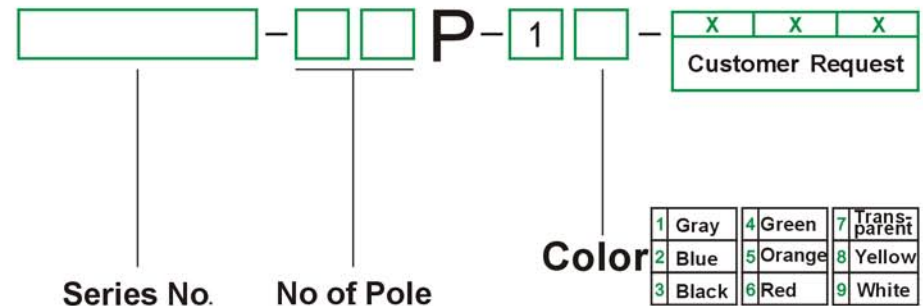
## Product Specification



Material	
Pin header :	Brass, Tin plated
Housing :	PA66, UL94V-0
Electrical	
Rated voltage :	300V
Rated current :	15A
Contact resistance :	20mΩ
Insulation resistance :	5000MΩ /DC 1000V
Withstanding voltage:	AC2000V/1Min
Mechanical	
Temp. Range :	-40°C~+105°C



### HOW TO ORDER:



	<b>DEGSON ELECTRONICS CO., LTD.</b>
 THIRD ANGLE PROJECTION	NAME <b>2EDGVC-5.0</b> <b>2EDGVC-5.08</b> <b>2EDGVC-7.5</b> <b>2EDGVC-7.62</b>