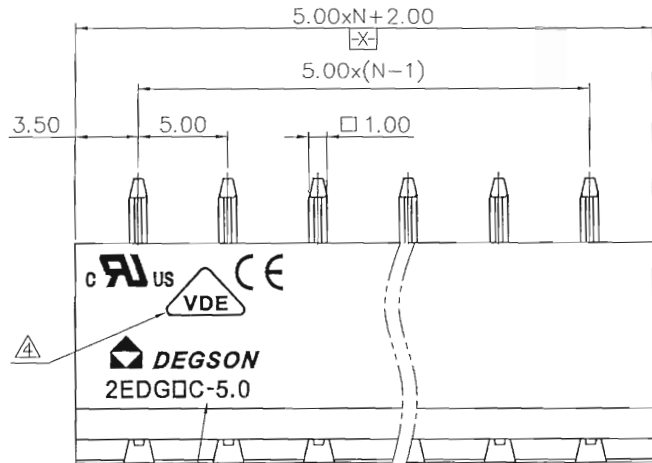


REVISION RECORD

REV	ECN	DESCRIPTION	DRFT	DATE
△	12-0158	针加长, 增加自动化针	ZMT	07/25/12
△	13-0285	修改技术参数	XLM	12/23/13
△	14-0300	刻字与实物不符	QXF	09/09/14
△	15-0208	CE标识位置错误, 与实物不符 将额定冲击电压改为4.0kV	HHJ	06/03/15

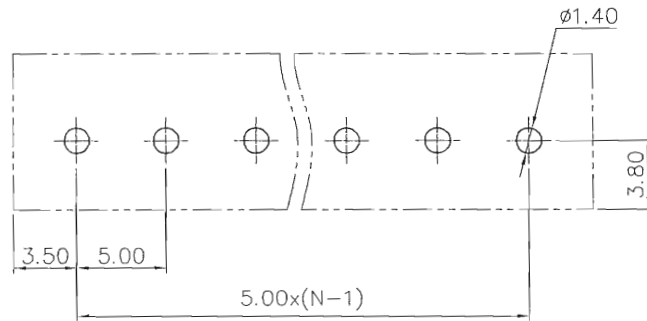
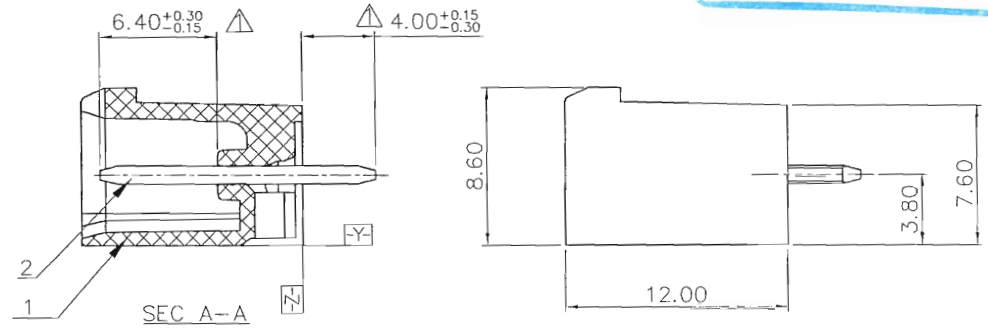
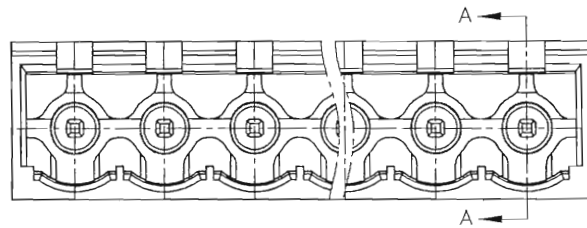


- NOTES:
1. DIMENSION SHALL BE INTERPRETED PER ASME Y14.5-2009.
 2. PITCH: 5.0MM, POLES: N=2-24P
 3. RATED VOLTAGE/CURRENT: UL 300V/15A
VDE 320V/20A
 4. OPERATION TEMPERATURES: -40°C ~ +105°C
 5. RATED IMPULSE VOLTAGE: 4.0kV
 6. UNDIMENSIONED TOLERANCES:

PITCH RANGE IN MM		NOMINAL DIMENSION RANGE IN MM						-
OVER TO 6	OVER TO 10	OVER TO 24	OVER TO 30	OVER TO 60	OVER TO 100	OVER TO 150	OVER TO 150	□
±0.10	±0.15	±0.25	±0.20	±0.30	±0.50	±0.70	±1.00	0.05/10

文管中心
研发专用
2015.06.15

(仅限内部使用, 对外无效)



P.C.B. LAYOUT

ITEM	NAME OF PART	NO. OF PART	Q'TY	MATERIAL	NOTES
2	2EDGVC-5.08-13A PIN AUTOMATIC ASSEMBLY 2-14P	1008B00220(H)	XX	COPPER	SN PLATED
2	2EDGVC-5.08-13A PIN MANUAL ASSEMBLY 2-24P	1007B00190(H)	XX	COPPER	SN PLATED
1	2EDGV/RC-5.0-100A HOUSING	1019A0YXXM(H)	1	PA66	UL94 V-0

<p>DETAACHED LISTS</p> <p>MM (INCH)</p> <p>TOLERANCES EXCEPT AS NOTED</p> <p>.X ± .X' ±</p> <p>.XX ± .XX' ±</p> <p>.XXX ± .XXX' ±</p> <p>ANGLES ± 1'</p> <p>THIRD ANGLE PROJECTION</p>		<p>MATERIAL:</p> <p>FINISH:</p> <p>PART NO.:</p> <p>APPD: <i>Arnon 6/4/15</i></p> <p>CHKD: <i>Xlm 6/18/15</i></p> <p>DRFT: COCO 04/18/11"</p>		<p>MATERIAL:</p> <p>FINISH:</p> <p>PART NO.:</p> <p>APPD: <i>Arnon 6/4/15</i></p> <p>CHKD: <i>Xlm 6/18/15</i></p> <p>DRFT: COCO 04/18/11"</p>		<p>NAME:</p> <p>2EDGVC-5.0-XXP-1Y-100A(H)</p> <p>TITLE: ASSEMBLY DRAWING</p> <p>DRAWING NO.: 2EDGVC-5.0-E16</p> <p>DO NOT SCALE DRAWING</p>		<p>NAME:</p> <p>2EDGVC-5.0-XXP-1Y-100A(H)</p> <p>TITLE: ASSEMBLY DRAWING</p> <p>DRAWING NO.: 2EDGVC-5.0-E16</p> <p>DO NOT SCALE DRAWING</p>		<p>REV</p> <p>T4</p> <p>SCALE</p> <p>1:1</p> <p>SHEET</p> <p>1/1</p>	
--	--	---	--	---	--	---	--	---	--	--	--

DEGSON 宁波高正电子有限公司
DEGSON ELECTRONICS CO., LTD