



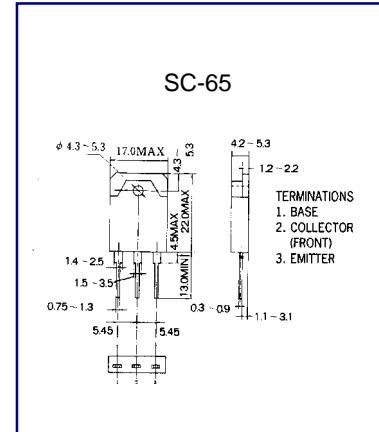
2SC1983

NPN SILICON DARLINGTON TRANSISTOR

SWITCHING REGULATORS PWM INVERTERS
SOLENOID AND RELAY DRIVERS

ABSOLUTE MAXIMUM RATINGS ($T_A=25^\circ\text{C}$)

Characteristic	Symbol	Rating	Unit
Collector-Base Voltage	V_{CB0}	80	V
Collector-Emitter Voltage	V_{CEO}	60	V
Collector Current (DC)	I_C	3	A
Collector Dissipation ($T_c=25^\circ\text{C}$)	P_C	30	W
Junction Temperature	T_j	150	$^\circ\text{C}$
Storage Temperature	T_{stg}	-50~150	$^\circ\text{C}$



ELECTRICAL CHARACTERISTICS ($T_A=25^\circ\text{C}$)

Characteristic	Symbol	Test Condition	Min	Typ	Max	Unit
Collector Cutoff Current	I_{CBO}	$V_{CB}=60\text{V}, I_E=0$			10	μA
Collector Cutoff Current	I_{CEO}	$V_{CB}=60\text{V}, I_B=0$			10	μA
DC Current Gain	h_{FE}	$V_{CE}=4\text{V}, I_C=1.0\text{A}$	700			
Collector- Emitter Saturation Voltage	$V_{CE(sat)}$	$I_C=0.5\text{A}, I_B=0.001\text{A}$			2.5	V