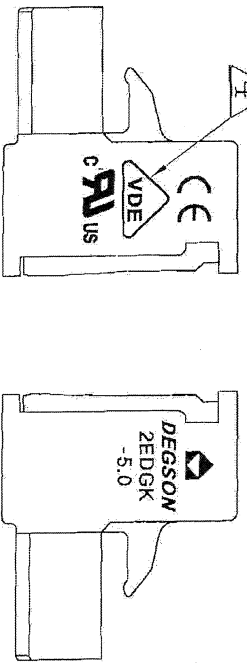
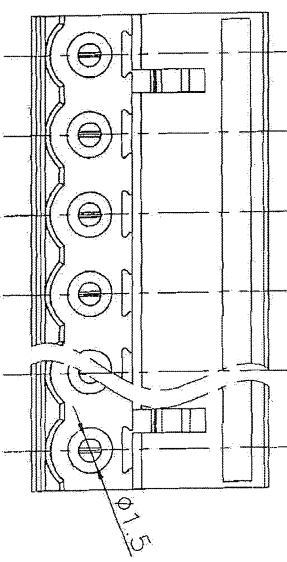
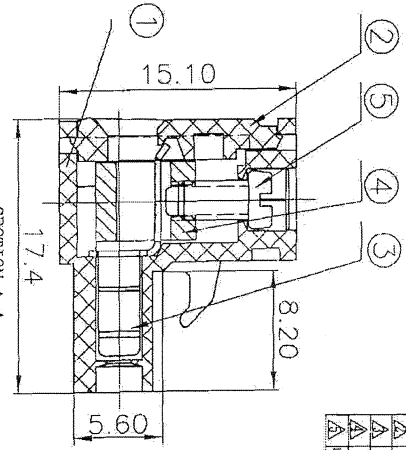
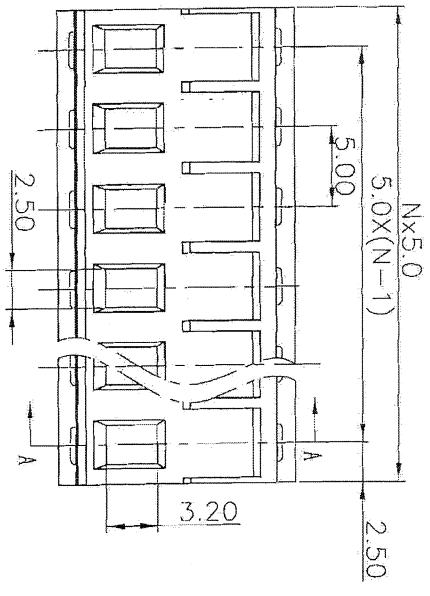


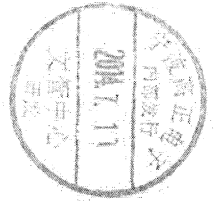
D1RFRD006



5	2EDG " " Screws-M2.5	S000001370(H)	XX	Steel	Cr ³ Zn
4	D6128-Brass cage	X000000020(H)	XX	Brass	Ni plated
3	2EDG-Clamp	I005B00010(H)	XX	Phosphor bronze	Sn plated
2	2EDGK-5.0-Cover	I016A0YXXA(H)	1	PA66	UL94V-0

- Notes:
1. Pitch: 5.0mm Poles: 2-24p
 2. Rated voltage/current: UL 300V/15A VDE 320V/20A
 3. Insulation resistance: 5000M Ω /1000V
 4. Withstanding voltage: AC2500V/1Min
 5. Wire range: 28-12AWG 2.5mm²
 6. Temp. Range: -40 $^{\circ}$ C~+105 $^{\circ}$ C
 7. Torque: 4.08kgf.cm
 8. Undimensioned Tolerances:

Pitch	range in mm	Nominal dimension	range in mm
over	5	over	50
to	10	to	60
to	10	to	100
to	24	to	150
H0.10	H0.15	H0.25	H0.5
			H0.7
			H1.0



REV	ECO	DESCRIPTION	DRPT	DATE
1		Drawing amend	WF	01/05/06
2		增加山型字	CSX	06/18/07
3		增加VDE、CE认证标志	LJH	01/14/08
4		英子电镀由镀锌改为镀锡	XJH	01/07/13

ITEM	1	2EDGK-5.0-housing	NO. OF PART	1	QTY	1	MATERIAL	PA66	NOTES	UL94V-0	
NAME OF PART	1016A0YXXA(H)										
DATE	04/15/05	DATE	01/13/05	DATE	01/13/05	DATE	01/13/05	DATE	01/13/05	DATE	01/13/05
DESIGNED BY	DEGSON 宁波德胜电子有限公司										
CHECKED BY	DEGSON 宁波德胜电子有限公司										
DRAWING NO.	2EDGK-5.0-XXP-1Y-00A(H)										
DO NOT SCALE DRAWING	DRAWING NO. 2EDGK-5.0-E10										
SHEET 1	OF 1										

Ming 25/02/22

MANTECH ELECTRONICS (PTY) LTD.
 32 LAUB STR.
 NEW CENTER
 011-493-9307
 JHB