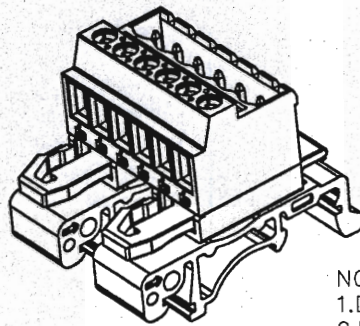


REVISION RECORD				
REV	ECN	DESCRIPTION	DRFT	DATE

文管中心
 研发专用
 2015.05.26
 (仅限内部使用, 对外无效)

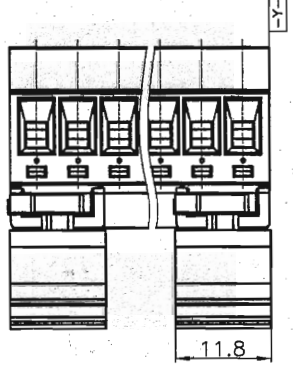
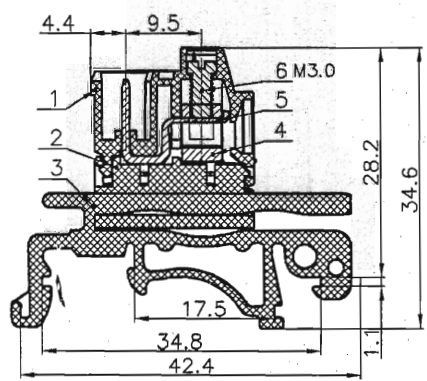
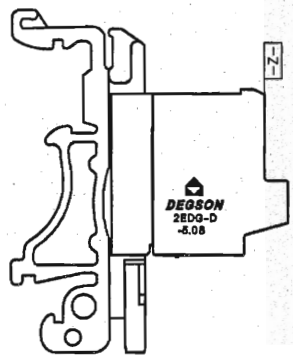
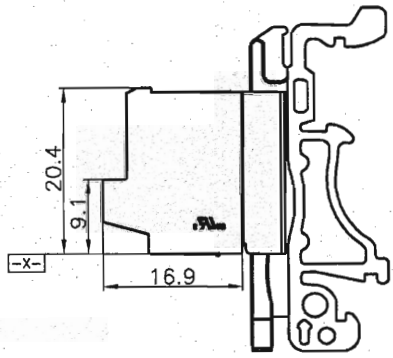
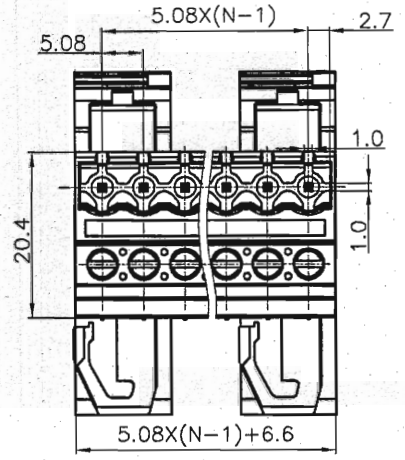
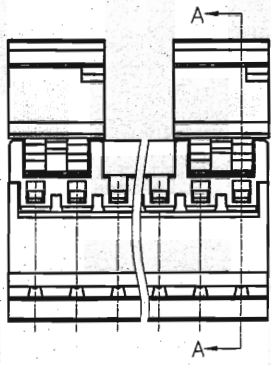


- NOTES:
- 1.DIMENSION SHALL BE INTERPRETED PER ASME Y14.5-2009.
 - 2.PITCH: 5.08 ,POLES: 02-24P
 - 3.UL: 300V/15A
 - 4.IEC:

POLLUTION DEGREE	2	2	3
OVERVOLTAGE CATEGORY	II	III	III
RATED IMPULSE VOLTAGE(KV)	4.0KV	4.0KV	4.0KV
RATED VOLTAG(V)	630V	320V	250V
RATED CURRENT(A)	12A	12A	12A

- 5.LOWER LIMIT TEMPERATURE: -40 °C
- 6.UPPER LIMIT TEMPERATURE: 105 °C
- 7.WIRE RANGE: 28AWG~12AWG, 0.2MM²~2.5MM²
- 8.TORQUE VALUE: M3.0, 0.6N.M;
- 9.STRIPPING LENGTH: 7-8MM
- 10.UNDIMENSIONED TOLERANCES:

PITCH RANGE IN MM		NOMINAL DIMENSION RANGE IN MM				-		
TO 6	OVER 6 TO 10	OVER 10 TO 24	TO 30	OVER 30 TO 60	OVER 60 TO 100	OVER 100 TO 150	OVER 150	∩
±0.10	±0.15	±0.25	±0.20	±0.30	±0.50	±0.70	±1.00	0.05/10



ITEM	NAME OF PART	NO. OF PART	Q'TY	MATERIAL	NOTES
6	2EDGK-1000A SCREW	S000006350(H)	XX	Steel	Zn plated
5	2EDG-D Pin	1410B00010(H)	XX	Copper	Sn plated
4	2EDGK-1000A Cage	X000005080(H)	XX	Brass	Ni plated
3	2EDG-DIN35	1416IYY01A(H)	1	PA66	UL94V-0
2	2EDG-D Cover2	1410CYYXXC(H)	1	PA66	UL94V-0
1	2EDG-D-5.08 Housing	1410AYYXXA(H)	1	PA66	UL94V-0

宁波高正电子有限公司
DEGSON® DEGSON ELECTRONICS CO., LTD

NAME: 2EDG-UDB-5.08-XXP-14-00A(H)

TITLE: ASSEMBLY DRAWING

DRAWING NO.: 2EDG-UDB-5.08-E01

DRFT: Apple 01/01/14

SCALE: 1:1

SHEET: 1/1



TOLERANCES EXCEPT AS NOTED .X ± .XX ± .XXX ± ANGLES ± 1° THIRD ANGLE PROJECTION	MATERIAL: FINISH: PART NO.: APPD: <i>Apple 5/20/15</i> CHKD: <i>Apple 5/20/15</i> DRFT: Apple 01/01/14
--	---

SECTION A-A