



SPECIFICATIONS SHEET

PRODUCT TYPE : PIEZO BUZZER

PRODUCT SERIES : DB-E298

DESCRIPTION : PZ BUZZER SINGLE 12VDC L/W ABS

3.5 +/- 0.1mm EAR HOLE SP RoHS

COLOR : BLACK

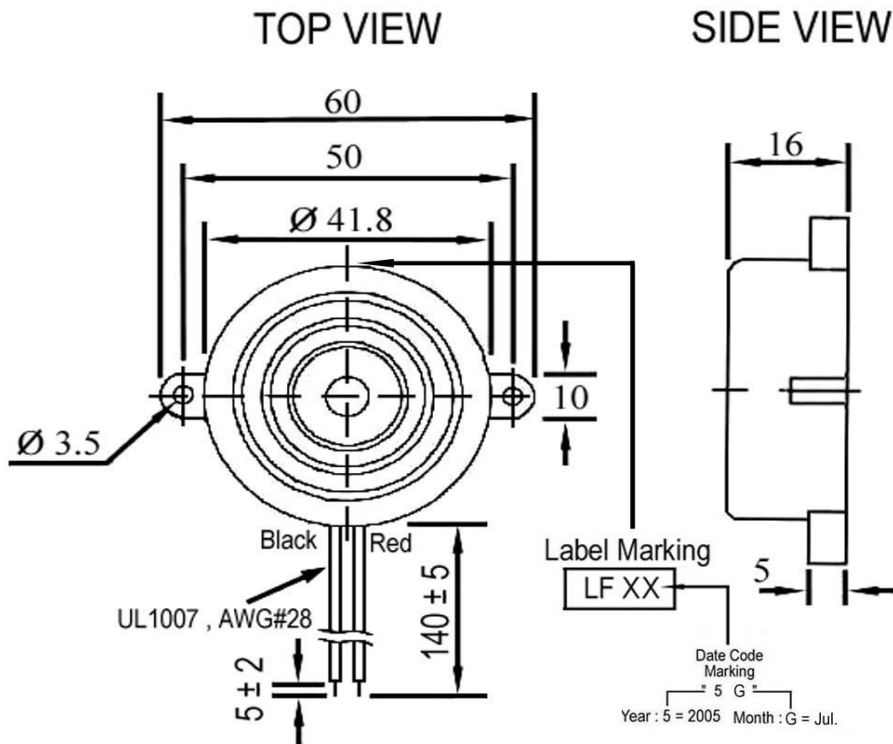
ELECTRICAL SPECIFICATIONS

MODEL NO.		29SL3120LFLA
OPERATING VOLTAGE RANGE	(VDC)	1.5 ~ 20.0
RATED VOLTAGE	(VDC)	12.0
* MAX. RATED CURRENT	(mA)	10.0
* MIN. SOUND OUTPUT	(dBA/ 30 cm)	96.0
* FREQUENCY	(Hz)	2800 ± 500
TONE NATURE		SINGLE
OPERATING TEMPERATURE	(° C)	- 20 ~ +60
TERMINAL		LEADWIRE (UL1007 , AWG#28)
HOUSING MATERIAL		ABS
WEIGHT	(g)	15.0

* Value applying at rated voltage

DIMENSIONS

UNIT : mm



Approved By :
Date : 24-Apr.-2008



Jy

Prepared By :
Date : 24-Apr.-2008



[Signature]

Modify :	Date :	By :