

RoHS COMPLIANT

REV	ECN NO.	DESCRIPTION	DATE
A		RELEASE	MAY. 12'03
B		MODIFY POLES	JAN. 18'07
C		MODIFY P/N	DEC. 08'10

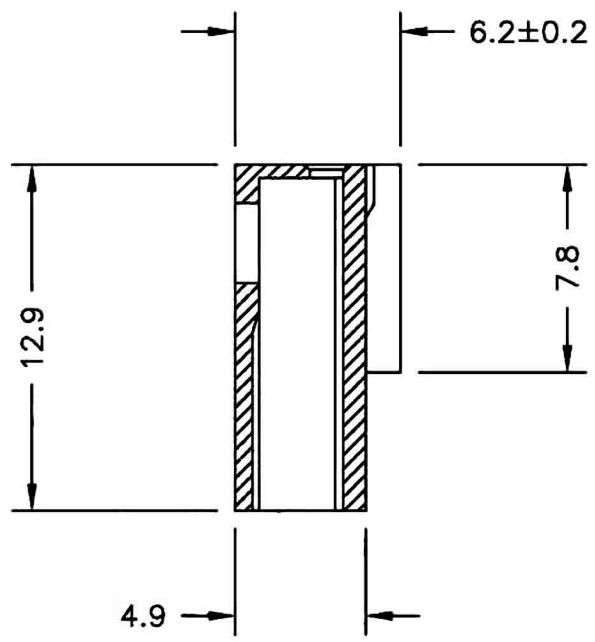
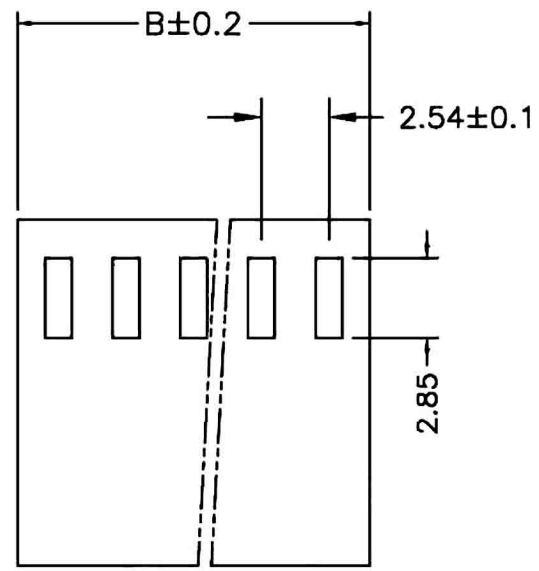
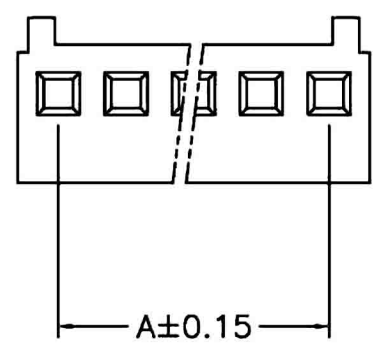
**SPECIFICATIONS**

- Poles: 2-15
- Voltage rating: 250V AC, DC
- Current rating: 3A, AC, DC
- Withstanding Voltage: 1000V AC/minute
- Insulation resistance: 1000MΩ/min
- Temperature range: -25℃~+85℃
- Applicable PC board thickness: .063" (1.6mm)
- Contact resistance: Initial Value/10mΩ max  
After environmental testing/20mΩ max

**HOUSING**

- Poles: 2-15
- Material: Contact: Brass, Tin plated  
Base: Nylon 66 UL94V-2
- Q ty: 500,1000pcs/bag

NO.	DIMENSION (mm)	
	A	B
2	2.54	5.60
3	5.08	8.14
4	7.62	10.68
5	10.16	13.22
6	12.70	15.76
7	15.24	18.30
8	17.78	20.84
9	20.32	23.38
10	22.86	25.92
11	25.40	28.46
12	27.94	31.00
13	30.48	33.54
14	33.02	36.08
15	35.56	38.62



TOLERANCE UNLESS OTHERWISE SPECIFIED		PROJECTION 
LINEAR	ANGLE	
X. ± 0.50	X° ±	UNITS MM
.X ± 0.30	.X° ±	
.XX ± 0.20	.XX° ±	
.XXX±	.XXX° ±	
APPD		SCALE SIZE A4
CHKD		
DRAW	Z	
		TITLE PITCH: 2.54MM HOUSING
		PART NO. 8001**
		CAD NO. I056
		SHEET 1 OF 1
		CPART NO.
		圖面編號:GTKSD0007-C(1)
DEC. 08'2010		

**GTK** GOLD-TEK ELECTRIC CO., LTD.

圖面編號:GTKSD0007-C(1)