

25000N Series

Miniature Slide Switches

SPECIFICATIONS

Contact ratings:
Gold; 0.4 Volt-Amps (VA) max. at 20 V max. (AC or DC)
Silver; 4 A at 125 VAC, 2 A at 250 VAC or 3 A at 30 VDC
Initial contact resistance: Gold; 50 milliohms max.
 Silver; 10 milliohms max.
Insulation resistance: 1000 megohms min. at 500 VDC
Dielectric strength: 1000 V rms min. between terms.
Electrical life: Gold; 20,000 cycles, Silver; 10,000 cycles
Operating temperature range: -40°C to +85°C
Solder heat resistance: 300°C max. for 5 seconds
Washing not recommended.

FEATURES

- **Molded-in terminals.**
- **.100" (2,54mm) and .200" (5,08mm) terminal spacing.**
- **Many additional models & options available (see page E51).**
- **Optional UL recognized & marked models available .**

MATERIALS

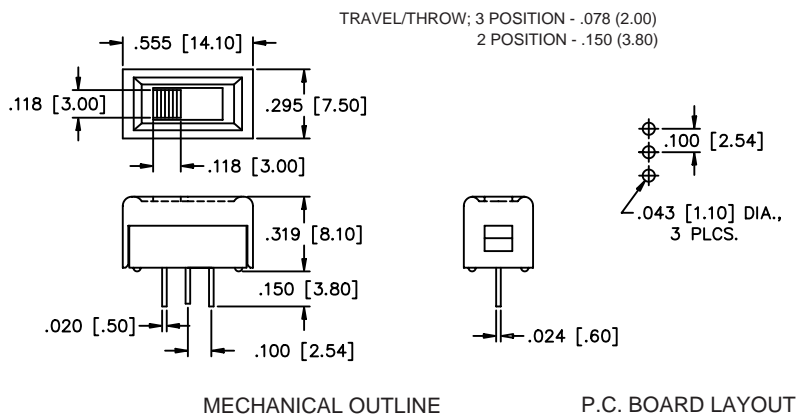
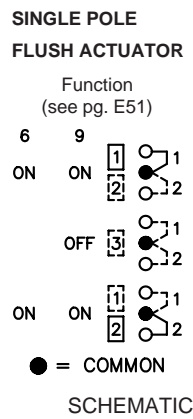
Contacts & terminals: Gold or silver available (see contact ratings)
Actuator and Cover: Glass filled polyamide
Case: PBT high temp. thermoplastic **Terminal seal:** Epoxy

SPECIFICATIONS SUBJECT TO CHANGE WITHOUT NOTICE

MODEL NO.	PLATING	ACTION
25136NLDB	Gold	on - on
25139NLDB	Gold	on off on
25136NAB	Silver	on - on
25139NAB	Silver	on off on



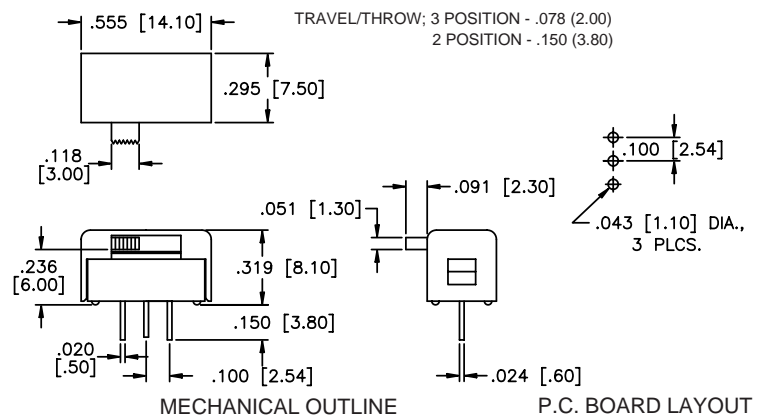
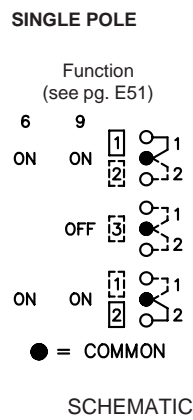
VERTICAL ACTUATOR



MODEL NO.	PLATING	ACTION
25336NLD	Gold	on - on
25339NLD	Gold	on off on
25336NA	Silver	on - on
25339NA	Silver	on off on



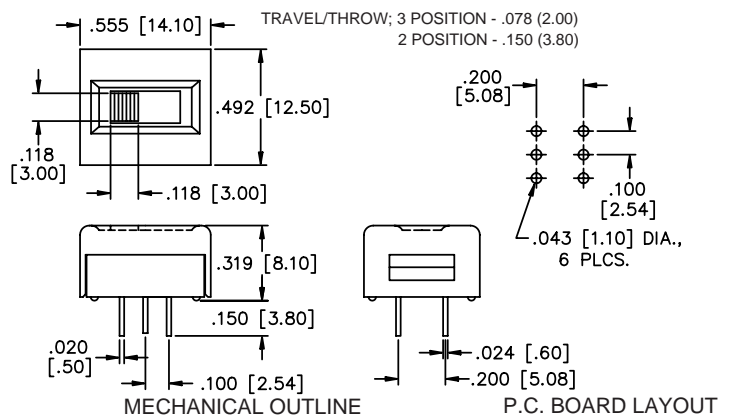
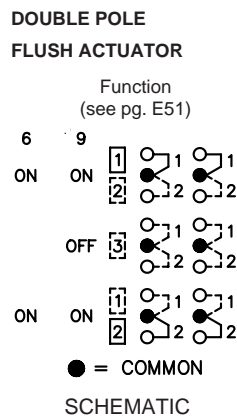
RIGHT ANGLE ACTUATOR



MODEL NO.	PLATING	ACTION
25146NLDB	Gold	on - on
25149NLDB	Gold	on off on
25146NAB	Silver	on - on
25149NAB	Silver	on off on

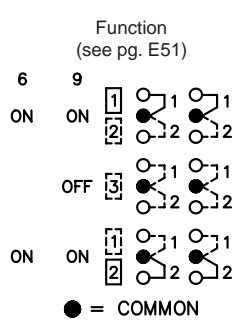

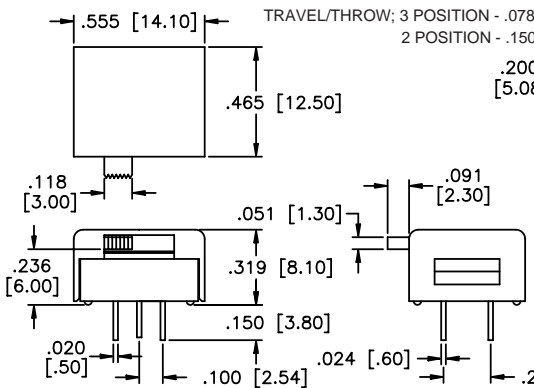
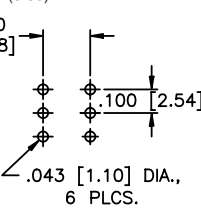
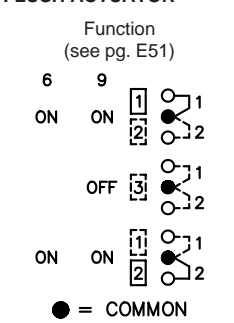

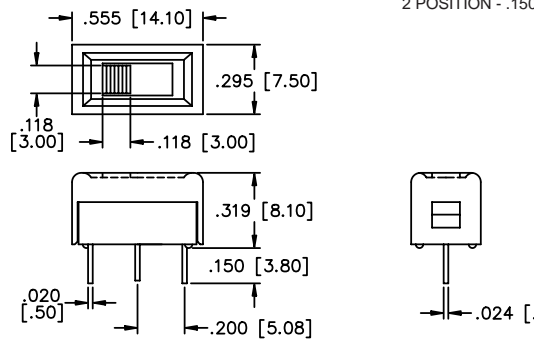
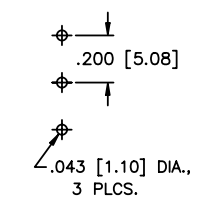
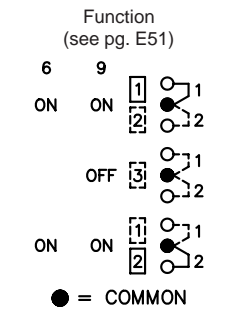

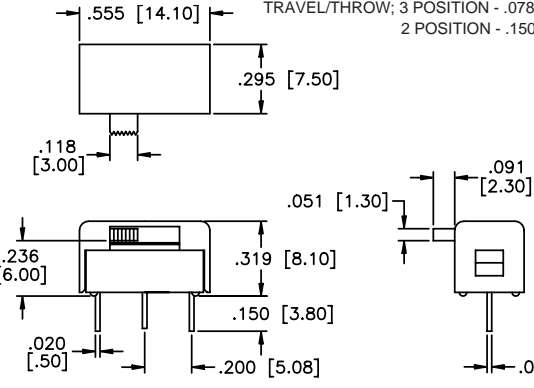
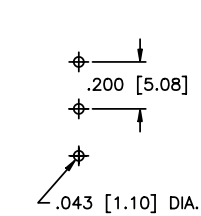
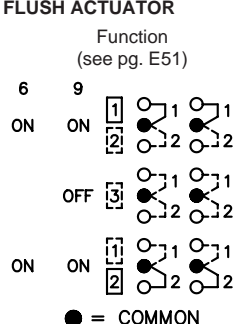

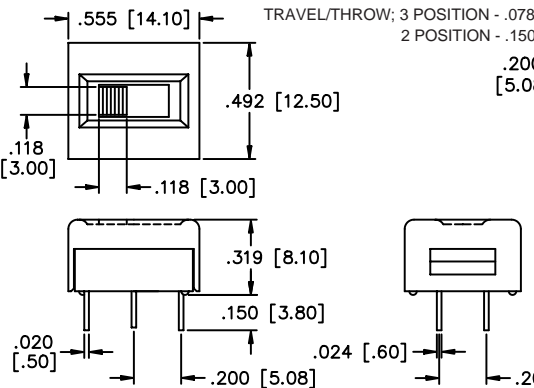
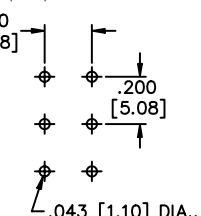


VERTICAL ACTUATOR



25000N Series

Miniature Slide Switches

MODEL NO.	PLATING	ACTION	DOUBLE POLE			
25346NLD 25349NLD 25346NA 25349NA	Gold Gold Silver Silver	on - on on off on on - on on off on	DOUBLE POLE Function (see pg. E51)  ● = COMMON	 RIGHT ANGLE ACTUATOR	 MECHANICAL OUTLINE	 P.C. BOARD LAYOUT
25436NLDB 25439NLDB 25436NAB 25439NAB	Gold Gold Silver Silver	on - on on off on on - on on off on	SINGLE POLE FLUSH ACTUATOR Function (see pg. E51)  ● = COMMON	 VERTICAL ACTUATOR	 MECHANICAL OUTLINE	 P.C. BOARD LAYOUT
25536NLD 25539NLD 25536NA 25539NA	Gold Gold Silver Silver	on - on on off on on - on on off on	SINGLE POLE Function (see pg. E51)  ● = COMMON	 RIGHT ANGLE ACTUATOR	 MECHANICAL OUTLINE	 P.C. BOARD LAYOUT
25446NLDB 25449NLDB 25446NAB 25449NAB	Gold Gold Silver Silver	on - on on off on on - on on off on	DOUBLE POLE FLUSH ACTUATOR Function (see pg. E51)  ● = COMMON	 VERTICAL ACTUATOR	 MECHANICAL OUTLINE	 P.C. BOARD LAYOUT

SPECIFICATIONS SUBJECT TO CHANGE WITHOUT NOTICE

25000N Series Miniature Slide Switches

SPECIFICATIONS SUBJECT TO CHANGE WITHOUT NOTICE


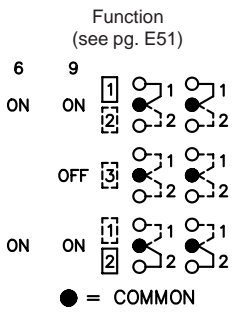
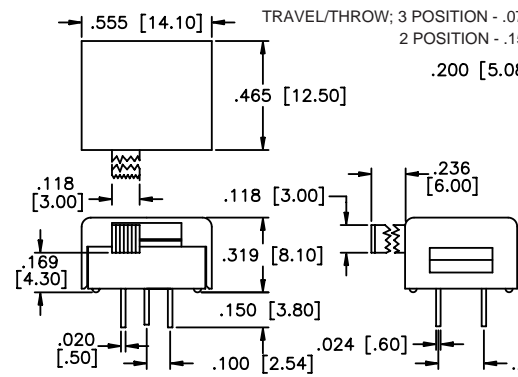
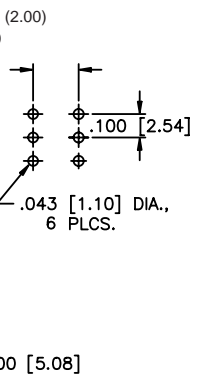

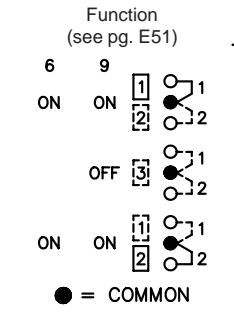
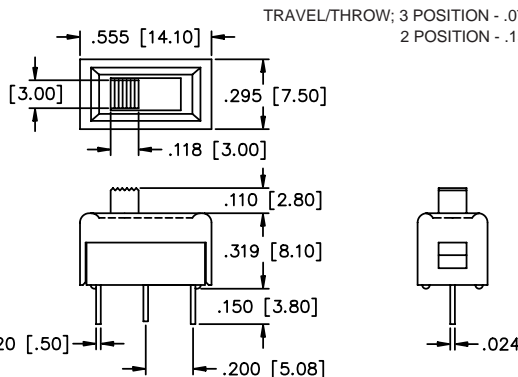
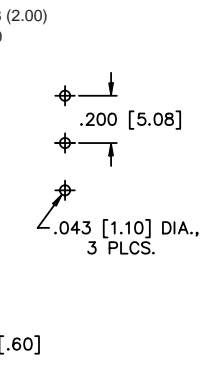

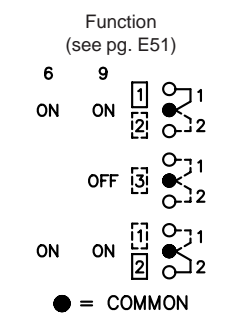
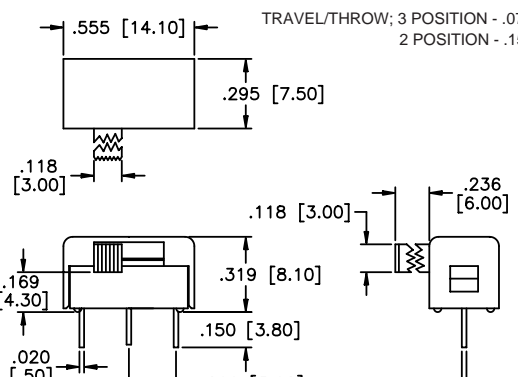
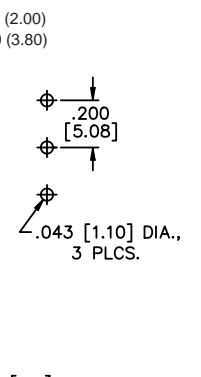

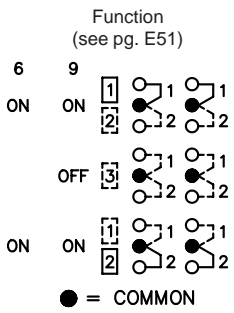
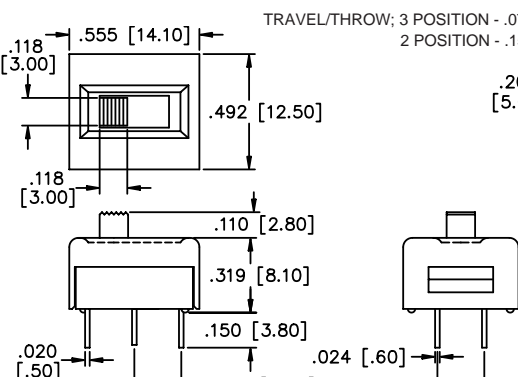
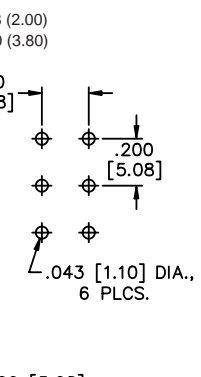
MODEL NO.	PLATING	ACTION	DOUBLE POLE
25546NLD 25549NLD 25546NA 25549NA	Gold Gold Silver Silver	on - on on off on on - on on off on	<p>Function (see pg. E51)</p> <p>6 9</p> <p>ON ON [1] [2] [3] [4] [5] [6]</p> <p>OFF [3] [4] [5] [6]</p> <p>ON ON [1] [2] [3] [4] [5] [6]</p> <p>● = COMMON</p> <p>SCHEMATIC</p> <p>MECHANICAL OUTLINE</p> <p>P.C. BOARD LAYOUT</p> <p>TRAVEL/THROW; 3 POSITION - .078 (2.00) 2 POSITION - .150</p>
<p>RIGHT ANGLE ACTUATOR</p>			
25136NLDH 25139NLDH 25136NAH 25139NAH	Gold Gold Silver Silver	on - on on off on on - on on off on	<p>Function (see pg. E51)</p> <p>6 9</p> <p>ON ON [1] [2] [3] [4] [5] [6]</p> <p>OFF [3] [4] [5] [6]</p> <p>ON ON [1] [2] [3] [4] [5] [6]</p> <p>● = COMMON</p> <p>SCHEMATIC</p> <p>MECHANICAL OUTLINE</p> <p>P.C. BOARD LAYOUT</p> <p>TRAVEL/THROW; 3 POSITION - .078 (2.00) 2 POSITION - .150</p>
<p>VERTICAL ACTUATOR</p>			
25336NLD6 25339NLD6 25336NA6 25339NA6	Gold Gold Silver Silver	on - on on off on on - on on off on	<p>Function (see pg. E51)</p> <p>6 9</p> <p>ON ON [1] [2] [3] [4] [5] [6]</p> <p>OFF [3] [4] [5] [6]</p> <p>ON ON [1] [2] [3] [4] [5] [6]</p> <p>● = COMMON</p> <p>SCHEMATIC</p> <p>MECHANICAL OUTLINE</p> <p>P.C. BOARD LAYOUT</p> <p>TRAVEL/THROW; 3 POSITION - .078 (2.00) 2 POSITION - .150 (3.80)</p>
<p>RIGHT ANGLE ACTUATOR</p>			
25146NLDH 25149NLDH 25146NAH 25149NAH	Gold Gold Silver Silver	on - on on off on on - on on off on	<p>Function (see pg. E51)</p> <p>6 9</p> <p>ON ON [1] [2] [3] [4] [5] [6]</p> <p>OFF [3] [4] [5] [6]</p> <p>ON ON [1] [2] [3] [4] [5] [6]</p> <p>● = COMMON</p> <p>SCHEMATIC</p> <p>MECHANICAL OUTLINE</p> <p>P.C. BOARD LAYOUT</p> <p>TRAVEL/THROW; 3 POSITION - .078 (2.00) 2 POSITION - .150 (3.80)</p>
<p>VERTICAL ACTUATOR</p>			

E

25000N Series

Miniature Slide Switches

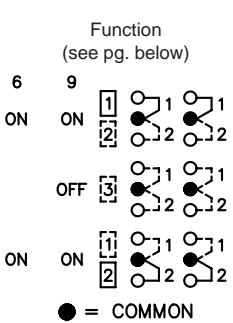
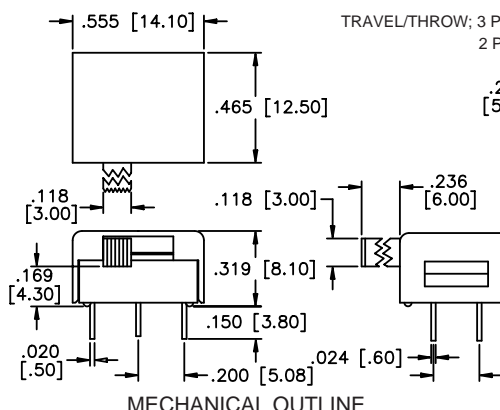
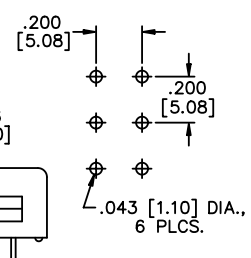

E

<table border="1"> <thead> <tr> <th>MODEL NO.</th> <th>PLATING</th> <th>ACTION</th> </tr> </thead> <tbody> <tr> <td>25346NLD6</td> <td>Gold</td> <td>on - on</td> </tr> <tr> <td>25349NLD6</td> <td>Gold</td> <td>on off on</td> </tr> <tr> <td>25346NA6</td> <td>Silver</td> <td>on - on</td> </tr> <tr> <td>25349NA6</td> <td>Silver</td> <td>on off on</td> </tr> </tbody> </table>  <p style="text-align: center;">RIGHT ANGLE ACTUATOR</p>	MODEL NO.	PLATING	ACTION	25346NLD6	Gold	on - on	25349NLD6	Gold	on off on	25346NA6	Silver	on - on	25349NA6	Silver	on off on	<p>DOUBLE POLE</p> <p>Function (see pg. E51)</p>  <p>● = COMMON</p>  <p>MECHANICAL OUTLINE</p>  <p>P.C. BOARD LAYOUT</p>
MODEL NO.	PLATING	ACTION														
25346NLD6	Gold	on - on														
25349NLD6	Gold	on off on														
25346NA6	Silver	on - on														
25349NA6	Silver	on off on														
<table border="1"> <thead> <tr> <th>MODEL NO.</th> <th>PLATING</th> <th>ACTION</th> </tr> </thead> <tbody> <tr> <td>25436NLDH</td> <td>Gold</td> <td>on - on</td> </tr> <tr> <td>25439NLDH</td> <td>Gold</td> <td>on off on</td> </tr> <tr> <td>25436NAH</td> <td>Silver</td> <td>on - on</td> </tr> <tr> <td>25439NAH</td> <td>Silver</td> <td>on off on</td> </tr> </tbody> </table>  <p style="text-align: center;">VERTICAL ACTUATOR</p>	MODEL NO.	PLATING	ACTION	25436NLDH	Gold	on - on	25439NLDH	Gold	on off on	25436NAH	Silver	on - on	25439NAH	Silver	on off on	<p>SINGLE POLE</p> <p>Function (see pg. E51)</p>  <p>● = COMMON</p>  <p>MECHANICAL OUTLINE</p>  <p>P.C. BOARD LAYOUT</p>
MODEL NO.	PLATING	ACTION														
25436NLDH	Gold	on - on														
25439NLDH	Gold	on off on														
25436NAH	Silver	on - on														
25439NAH	Silver	on off on														
<table border="1"> <thead> <tr> <th>MODEL NO.</th> <th>PLATING</th> <th>ACTION</th> </tr> </thead> <tbody> <tr> <td>25536NLD6</td> <td>Gold</td> <td>on - on</td> </tr> <tr> <td>25539NLD6</td> <td>Gold</td> <td>on off on</td> </tr> <tr> <td>25536NA6</td> <td>Silver</td> <td>on - on</td> </tr> <tr> <td>25539NA6</td> <td>Silver</td> <td>on off on</td> </tr> </tbody> </table>  <p style="text-align: center;">RIGHT ANGLE ACTUATOR</p>	MODEL NO.	PLATING	ACTION	25536NLD6	Gold	on - on	25539NLD6	Gold	on off on	25536NA6	Silver	on - on	25539NA6	Silver	on off on	<p>SINGLE POLE</p> <p>Function (see pg. E51)</p>  <p>● = COMMON</p>  <p>MECHANICAL OUTLINE</p>  <p>P.C. BOARD LAYOUT</p>
MODEL NO.	PLATING	ACTION														
25536NLD6	Gold	on - on														
25539NLD6	Gold	on off on														
25536NA6	Silver	on - on														
25539NA6	Silver	on off on														
<table border="1"> <thead> <tr> <th>MODEL NO.</th> <th>PLATING</th> <th>ACTION</th> </tr> </thead> <tbody> <tr> <td>25446NLDH</td> <td>Gold</td> <td>on - on</td> </tr> <tr> <td>25449NLDH</td> <td>Gold</td> <td>on off on</td> </tr> <tr> <td>25446NAH</td> <td>Silver</td> <td>on - on</td> </tr> <tr> <td>25449NAH</td> <td>Silver</td> <td>on off on</td> </tr> </tbody> </table>  <p style="text-align: center;">VERTICAL ACTUATOR</p>	MODEL NO.	PLATING	ACTION	25446NLDH	Gold	on - on	25449NLDH	Gold	on off on	25446NAH	Silver	on - on	25449NAH	Silver	on off on	<p>DOUBLE POLE</p> <p>Function (see pg. E51)</p>  <p>● = COMMON</p>  <p>MECHANICAL OUTLINE</p>  <p>P.C. BOARD LAYOUT</p>
MODEL NO.	PLATING	ACTION														
25446NLDH	Gold	on - on														
25449NLDH	Gold	on off on														
25446NAH	Silver	on - on														
25449NAH	Silver	on off on														

SPECIFICATIONS SUBJECT TO CHANGE WITHOUT NOTICE

25000N Series Miniature Slide Switches

SPECIFICATIONS SUBJECT TO CHANGE WITHOUT NOTICE

MODEL NO.	PLATING	ACTION	DOUBLE POLE		
25546NLD6	Gold	on - on	<p>Function (see pg. below)</p>  <p>● = COMMON</p>	 <p>MECHANICAL OUTLINE</p>	<p>TRAVEL/THROW; 3 POSITION - .078 (2.00) 2 POSITION - .150 (3.80)</p>  <p>P.C. BOARD LAYOUT</p>
25549NLD6	Gold	on off on			
25546NA6	Silver	on - on			
25549NA6	Silver	on off on			
 <p>RIGHT ANGLE ACTUATOR</p>			SCHEMATIC		

Additional ordering information: Commonly ordered models are shown above and on preceding pages with complete model numbers and specifications. Below is an order format that enables you to 'build your own switch' and specify the correct switch model number by simply selecting from all available options shown and filling in the boxes.

'BUILD YOUR OWN SWITCH' ORDER FORMAT

Fill in boxes shown with options selected from below.
* Allowable options for each box are shown under each respective box.

Series	Actuator/ Term. Spacing	Poles	Functions	Version	Contact & Term. Mat'l.	Actuators	Approvals
2 5	1 4 3 5	3 4	6 9	N	A L D	B H H 6 6	(NONE) X 6 9 3 U L
<p>* If a single suffix selection is chosen from the Contact & Term. Mat'l. or Actuator categories above, eliminate the extra box.</p>							

Actuator/terminal spacing: Dimensions in inches and millimeters.
 1 = Vertical actuator and .100" (2.54mm) terminal spacing
 4 = Vertical actuator and .200" (5.08mm) terminal spacing
 3 = Side actuator and .100" (2.54mm) terminal spacing
 5 = Side actuator and .200" (5.08mm) terminal spacing

Poles: 3 = Single Pole 4 = Double Pole

Functions: 6 = ON - ON 9 = ON OFF ON

Version: N = Version specification (Specify for all models)

Contact & terminal materials: See contact ratings under "specifications". A = Silver LD = Gold plated brass

Actuators: Dimensions in inches and millimeters.
 B = Flush vertical actuator
 H = Vertical actuator .110" (2.80mm) high
 H6 = Vertical actuator .236" (6.00mm) high
 6 = Side actuator .236" (6.00mm) long
Note: If **Actuator** boxes are not used, a side actuator .090" (2.30mm) long will be supplied.

Approvals: X693UL = Switches recognized and marked UL - silver (A) contacts only.