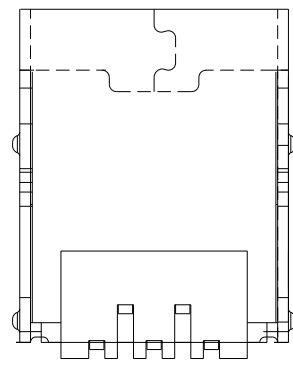
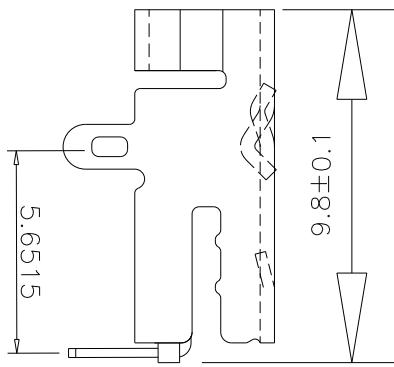
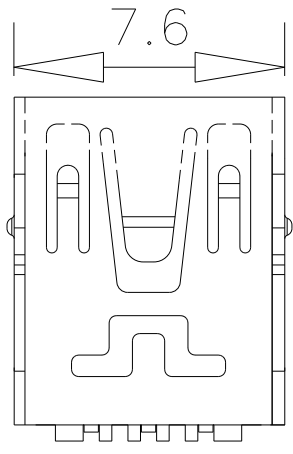
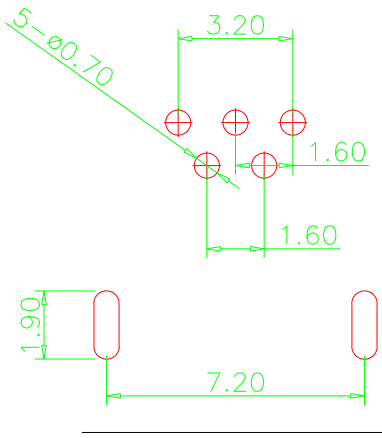
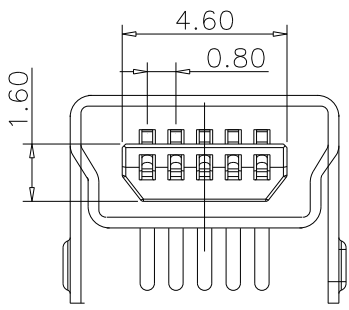


?? Mapx	?? ? ? Modification	?? Date	?? ? Draw	?? ? Approve
△				



特性: Specifications:
 电器: Electrical:
 接触阻抗: Contact Resistance
 30 milliohms Max
 耐电压: Dielectric Withstanding Voltage:
 500V AC Sea Level
 绝缘阻抗: Insulation Resistance:
 100 MEGA ohms MIN
 材料: Material:
 塑胶Housing: High Temperature Thermoplastics.
 LCP 耐高温塑胶
 端子: Contact: Copper Alloy 铜合金
 铜壳Shell: Copper Alloy 铜合金
 电镀Finish:
 端子Contact: Plated Gold In Mating Area:
 Tin On Slider Talls
 接触点镀金。脚镀锡
 铜壳: Shell:
 Nickel/Plating 镀镍



Recommended PCB Layout

成品图 MANUFACTURE DWG															
TOLERANCE UNLESS OTHERWISE															
.X±0.15	X.±5°	?? ? DATE	07.	?? ? UNIT	MM	?? ? DRAWING	冉世雄	?? ? DWG NO.	QH						
.XX±0.05	.X±2°	?? ? CHECKED		?? ? SCALE	1 : 1	?? ? DESIGN		?? ? NAME							
.XXX±0.02	.XX±1°	?? ? APPROVE		?? ? VIEW	⊕			?? ? VER	A	?? ? SHEET	PG1				