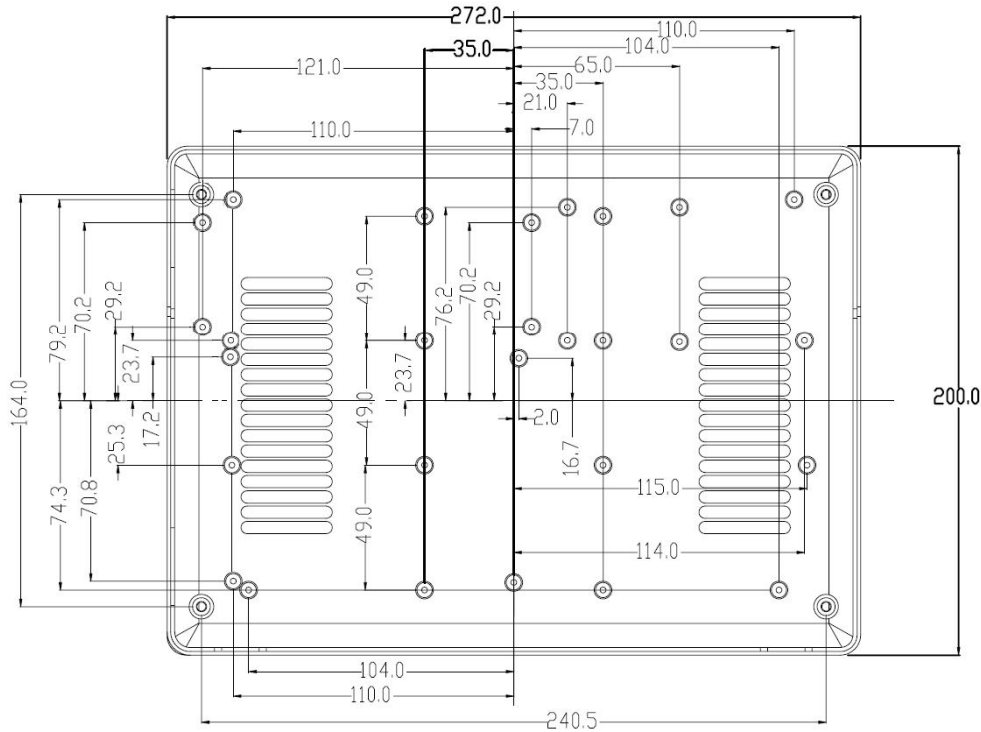
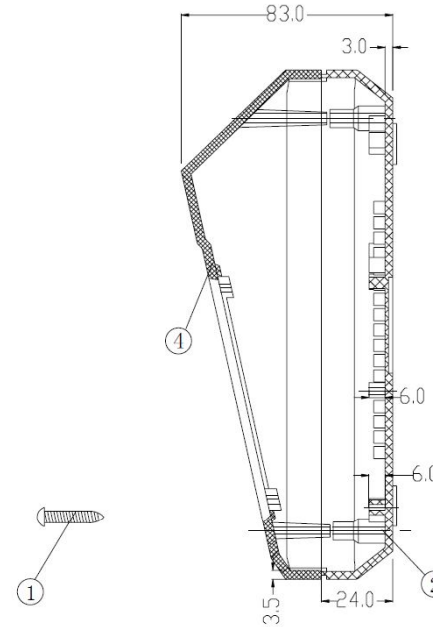
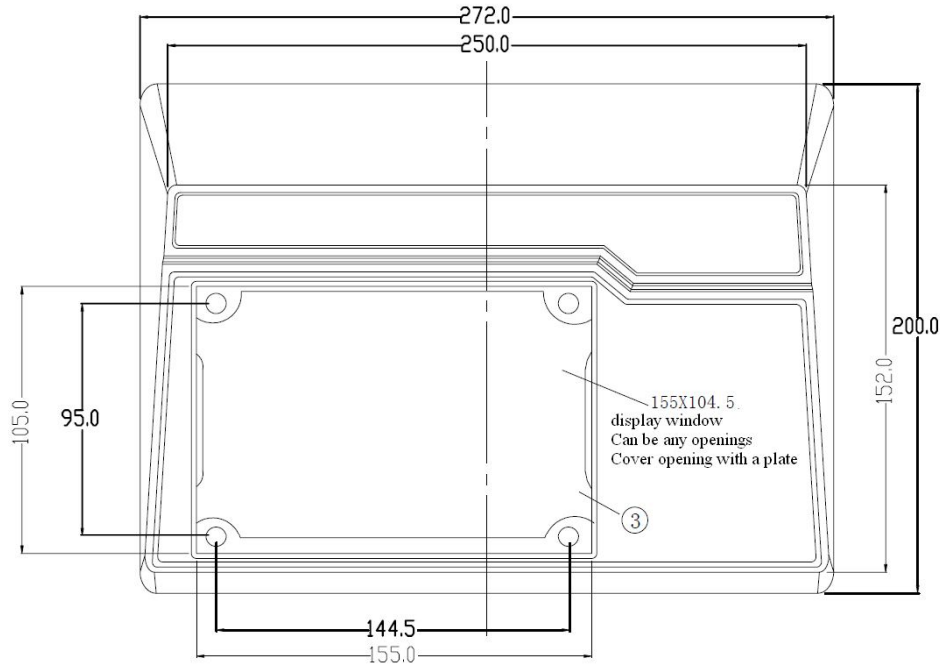


# B18 Chassis (272X200X83)



Constitute elements:

No.	Name	Size	Material	Color	Surface Treatment
1	Self-tapping screws	4	Steel		Galvanized
2	Base	1	ABS	Gray	Smooth Finish
3	Small Cover	1		Gray	
4	Large Cover	1		Gray	

Model	L	W	H	Weight (g)
B18 chassis	272	200	83	480

制图 Drawing	审核 Auditing	批准 Confirm	客户名称 Custom Name	材料 Material		
			产品名称 Product Name	图纸比例 Drawing Scale	A	
			产品编号 Product Code	视图 Project View	(mm)	
tolerances of ±0.5			18-4(B18)			
共 页 第 页			宁波三和壳体公司 NINGBO SANHE ENCLOSURE CORPORATION		中国·宁波慈溪 TEL:+86(574)63226910 FAX:+86(574)63226900	