

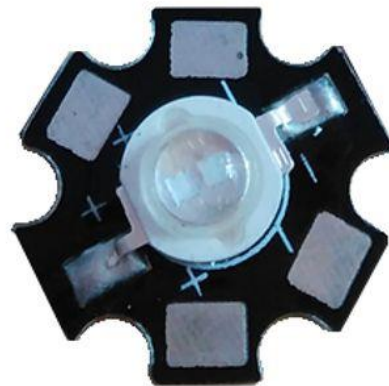


170492

## INFRARED LED 5W 850NM 1.4A 1.8V

### NOTES

- ALL DIMENSIONS ARE MI (MM)
- TOLERANCE IS +/- 0.25MM OR OTHERWISE NOTED.
- LEAD SPACING IS MEASURED WHERE THE LEADS EMERGE FROM THE PACKAGE
- SPECIFICATIONS ARE SUBJECTED TO CHANGE WITHOUT NOTICE



## ELECTRICAL / OPTICAL CHARACTERISTICS AT TA=25°C

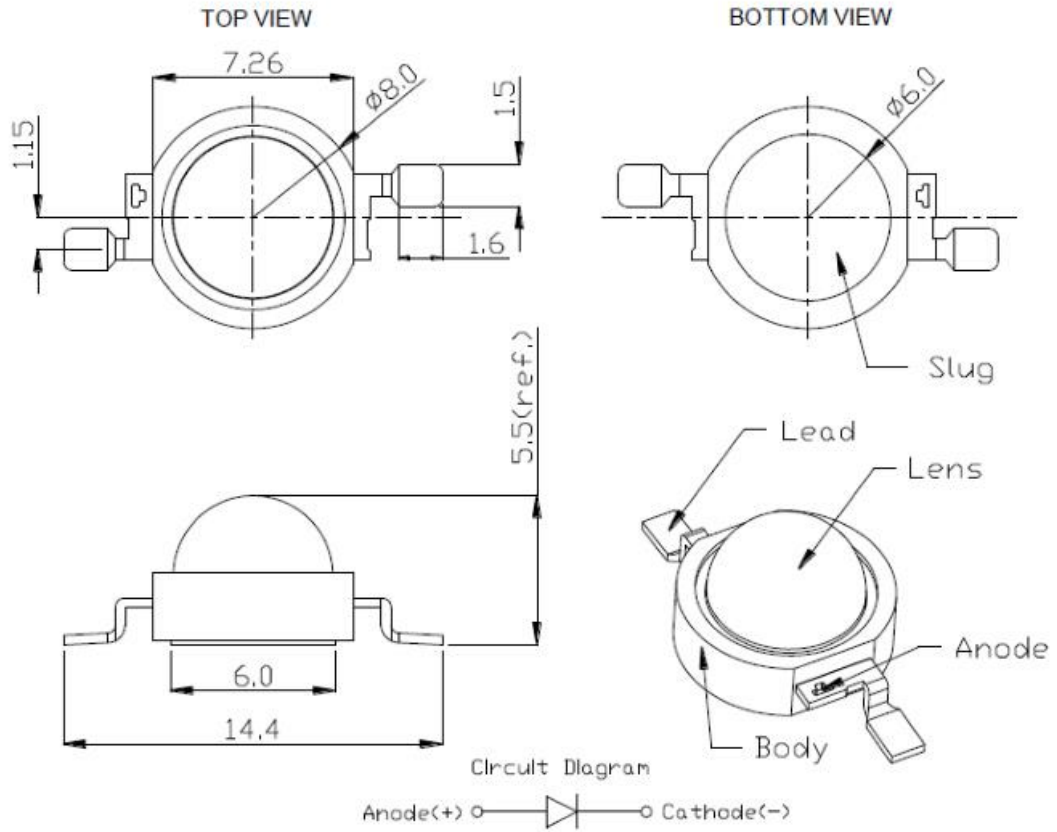
PARAMETER	SYMBOL	MIN.	TYP.	MAX.	UNIT	TEST CONDITION
LUMINOUS INTENSITY	∅	400		600	mW	IF=1400mA
VIEWING ANGLE	2Θ1/2		140		DEG	IF=1400mA
DOMINANT WAVELENGTH	T <sub>c</sub>				K	IF=1400mA
SPECTRAL LINE HALF-WIDTH	Δλ		850		nm	IF=1400mA
FORWARD VOLTAGE	V <sub>F</sub>	1.4		1.8	V	IF=1400mA
REVERSE CURRENT	I <sub>R</sub>			20	uA	V <sub>R</sub> =5V

## ABSOLUTE MAXIMUM RATINGS AT TA=25°C

PARAMETER	MAXIMUM RATING
POWER DISSIPATION	5W
PEAK FORWARD CURRENT (1/10 DUTY CYCLE, 0. LMS PULSE WIDTH)	1400mA
CONTINUOUS FORWARD CURRENT	1400mA
REVERSE VOLTAGE	5V
OPERATING TEMPERATURE RANGE	-20°C TO +60°C
SORAGE TEMPERATURE RANGE	-20°C TO +60°C
LEAD SOLDERING TEMPERATURE [1.6MM (.63") FROM BODY]	260°C FOR 5 SECONDS

## PACKAGE DIMENSIONS (MM)

### Package Dimension



## TYPICAL ELECTRO-OPTICAL CHARACTERISTICS CURVE

