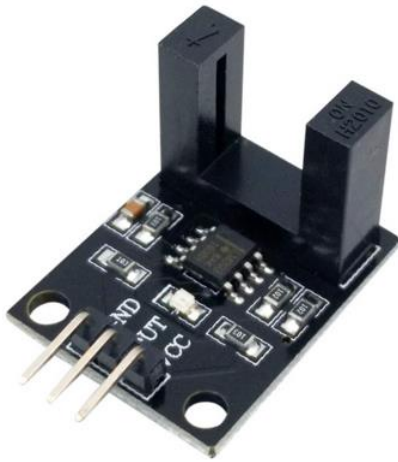


OPTICAL GAP / SLOT SENSOR BOARD



- IR SLOT GAP SENSOR
- 10mm GAP
- 1mm APERTURE

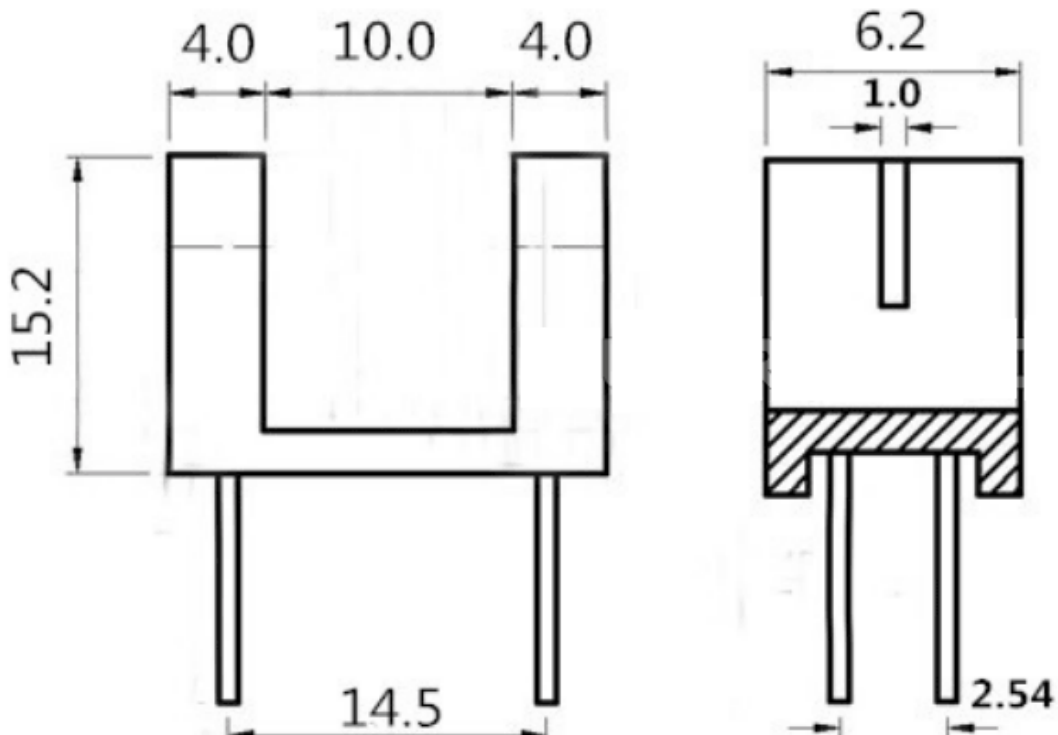
SPECIFICATIONS

Operating voltage	3.3V to 5V DC
Operating current	15mA
Gap / Slot	10Mmm
PCB Size	27x20x17mm
Amplifier / Comparator	LM393
IR sensor	H2010

Optical Sensor H2010 Datasheet

VF	IF=20mA	-	1.25	1.5	V
IR	VR=3V	-	-	10	μA
I _{ceo}	V _{ceo} = 20V	-	-	1	μA
I _C	V _{ce} =5V, I _F =8mA	0.25	-	-	mA
V _{CE}	I _F =8mA, I _c =0.5mA	-	-	0.4	V
Tr	V _{ce} =5V, I _c =20mA R _L =1000Ω	-	10	-	μS
Tf		-	10	-	μS

H2010 Optical Sensor



DIAGRAM

