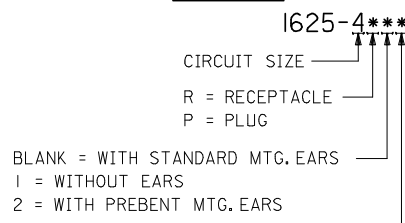


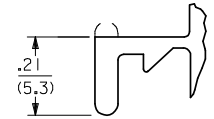
PLUG		
PART NO.	ENG. NO.	
03-06-2041	I625-4P	
03-06-7041	I625-4PBK	OBSOLETE
03-06-2042	I625-4P1	
03-06-7042	I625-4P1BK	
NOT TOOLED	I625-4P2	
NOT TOOLED	I625-4P2BK	
	-	
	-	

RECEPTACLE		
PART NO.	ENG. NO.	
03-06-1041	I625-4R	OBSOLETE
03-06-6041	I625-4RBK	OBSOLETE
03-06-1042	I625-4R1	
03-06-6042	I625-4R1BK	
50-29-1758	I625-4R2	
	-	
	-	
	-	

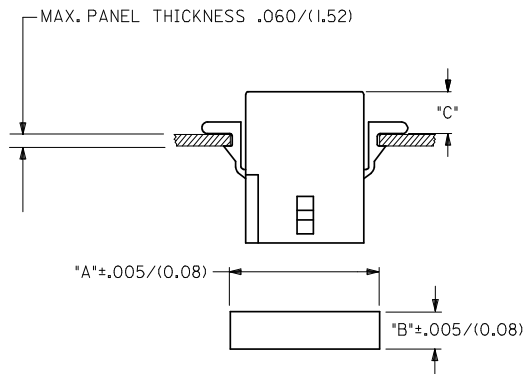
LEGEND:



BLANK = NOT DYED
 AM=AMBER BK=BLACK BU=BLUE
 BN=BROWN GY=GRAY GN=GREEN
 OR=ORANGE RD=RED YW=YELLOW

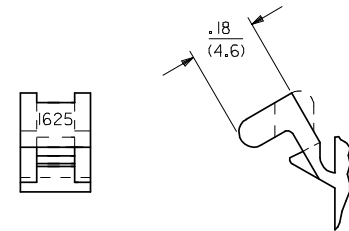


DETAIL 1
 STANDARD MOUNTING EARS
 (SCALE 4:1)



RECOMMENDED PANEL OPENING

HOUSING	DIM. "A"	DIM. "B"	"C" PREBENT EAR	"C" STANDARD EAR
PLUG	.865 / (21.97)	.312 / (7.92)	.19 / (4.8)	.18 / (4.6)
RECEPT.	.785 / (19.94)	.260 / (6.60)	.21 / (5.3)	.20 / (5.1)



DETAIL 2
 PREBENT MOUNTING EARS
 (SCALE 4:1)

NOTES

- MATERIAL - NYLON TYPE 6/6, 94V-2
- FINISH: N/A.
- THIS PRODUCT COMPLIES WITH MOLEX PRODUCT SPECIFICATION PS-02-06
- PACKAGING: PK-1625-003.
- HOUSINGS FOR USE WITH MOLEX .062 / (1.57) DIA. SERIES TERMINALS.
- CIRCUIT I.D. NUMBERS ON SIDE OF HOUSING APPEAR ON PARTS FROM TOOLS BUILT AFTER 8/10/92. PARTS FROM TOOLS BUILT BEFORE THIS DATE WILL HAVE CIRCUIT I.D. RIBS ON HOUSING.
- PARTS CONFORM TO CLASS 'B' REQUIREMENTS OF COSMETIC SPECIFICATION PS-45499-002.

OBSOLETE 1625-4R EC NO: UCP2008-2649 DRWN: AELHAG 2008/05/02 CHKD: JBELL 2008/07/21 APPR: FSM/TH 2008/08/04	QUALITY SYMBOLS ▽=0 ▽=0	GENERAL TOLERANCES (UNLESS SPECIFIED)		DIMENSION STYLE IN/MM		SCALE ---	DESIGN UNITS INCH	THIRD ANGLE PROJECTION	
		4 PLACES ± --- ± --- 3 PLACES ± --- ± .010 2 PLACES ± 0.25 ± .014 1 PLACE ± 0.36 ± --- ANGULAR ± 1 °	mm INCH DRAWN BY DATE GC 8/17/92 CHECKED BY DATE RW 8/17/92 APPROVED BY DATE RAS 8/17/92	TITLE PLUG & RECEPTACLE HOUSINGS, 4 CIRCUIT, .062 DIA., .145 CENTERS					
		DRAFT WHERE APPLICABLE MUST REMAIN WITHIN DIMENSIONS		MATERIAL NO. SEE CHART		MOLEX INCORPORATED DOCUMENT NO. SD-1625-4*		SHEET NO. 2 OF 2	
		THIS DRAWING CONTAINS INFORMATION THAT IS PROPRIETARY TO MOLEX INCORPORATED AND SHOULD NOT BE USED WITHOUT WRITTEN PERMISSION							