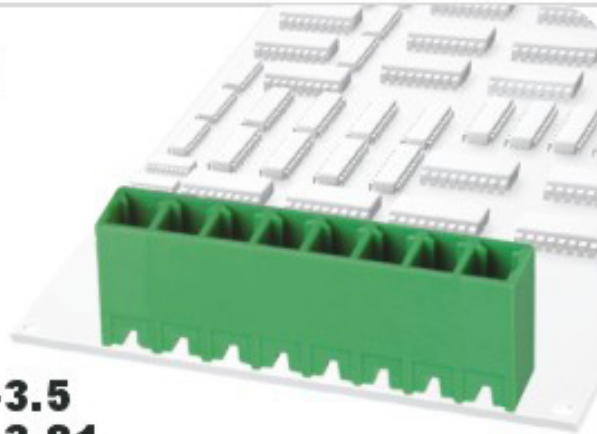




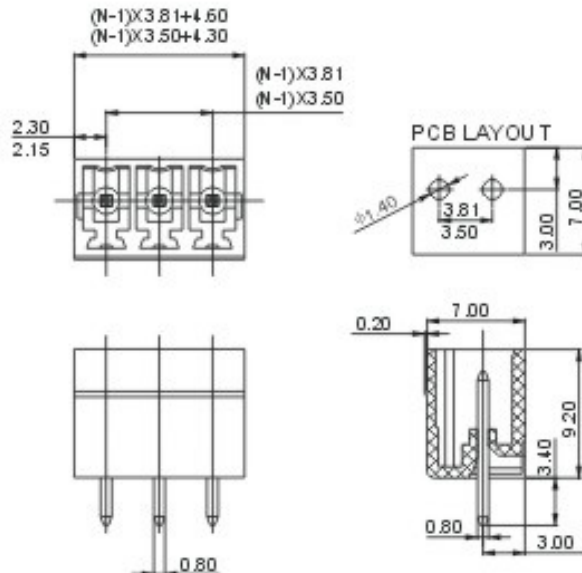
DEGSON ELECTRONICS CO., LTD.

Product Specification

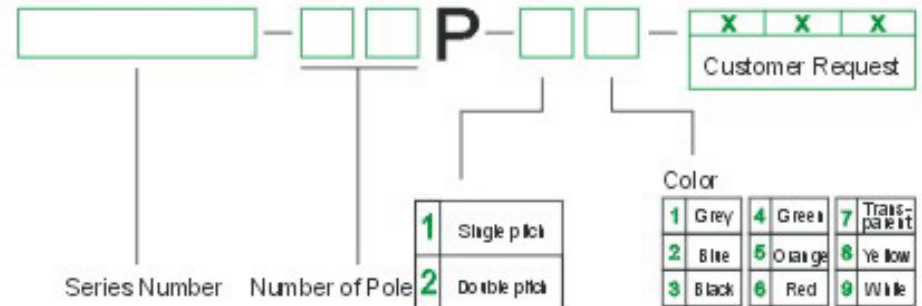


15EDGVC-3.5
15EDGVC-3.81

Approval		
Electrical		
Standard	UL	IEC
Rated voltage	300V	250V
Rated current	8A	7A
With standing voltage	AC2000V/1Min	
Mechanical		
Ambient temperature	-40°C~+105°C	
Dimensions		
Pitch	3.5mm (.138")/3.81mm (.150")	
Poles	2P-24P	
Material		
Housing	PA66, UL94V-0	
Pin header	Brass, Tin plated	



HOW TO ORDER



MM (INCH)		DEGSON ELECTRONICS CO., LTD.
	NAME	15EDGVC-3.5 15EDGVC-3.81