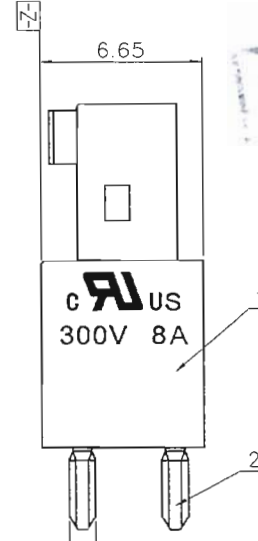
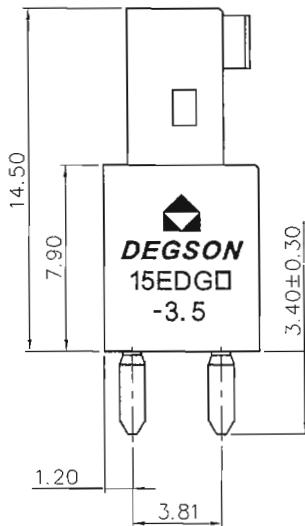
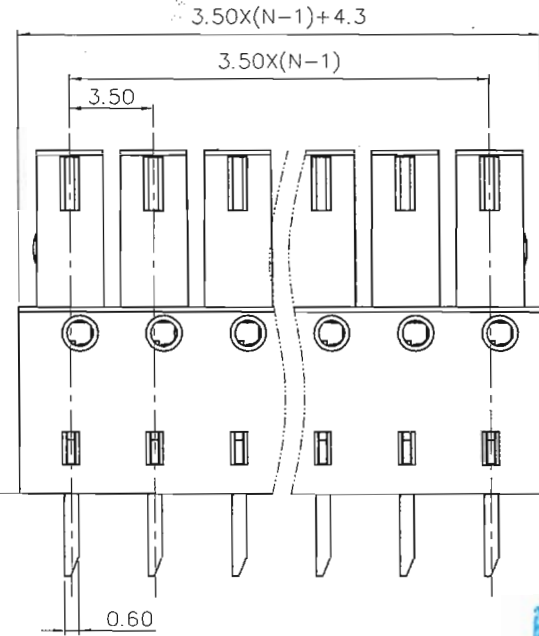
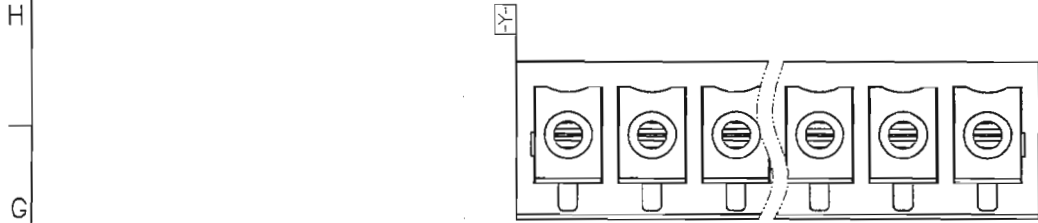


| REVISION RECORD | | | | |
|-----------------|-----|-------------|------|------|
| REV | ECN | DESCRIPTION | DRFT | DATE |
| | | | | |



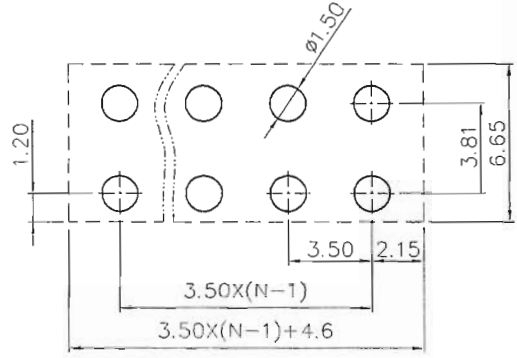
- NOTES:
 1. DIMENSION SHALL BE INTERPRETED PER ASME Y14.5-2009.
 2. PITCH: 3.50, POLES: N=2-24P
 3. UL: 300V/8A
 4. IEC:

| POLLUTION DEGREE | 3 | 2 | 2 |
|---------------------------|-------|-------|-------|
| OVERVOLTAGE CATEGORY | III | III | II |
| RATED IMPULSE VOLTAGE(KV) | 2.5KV | 2.5KV | 2.5KV |
| RATED VOLTAGE(V) | 160V | 250V | 320V |
| RATED CURRENT(A) | 7A | 7A | 7A |

5. LOWER LIMIT TEMPERATURE: -40°C
 6. UPPER LIMIT TEMPERATURE: +105°C
 7. UNDIMENSIONED TOLERANCES:

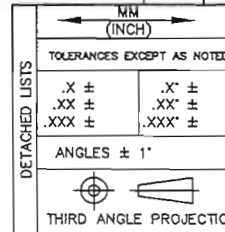
| PITCH RANGE IN MM | | NOMINAL DIMENSION RANGE IN MM | | | | | | - | |
|-------------------|-------|-------------------------------|-------|-------|-------|-------|-------|---------|---------|
| TO | OVER | TO | OVER | TO | OVER | TO | OVER | TO | OVER |
| 6 | 10 | 10 | 30 | 30 | 60 | 60 | 100 | 100 | 150 |
| 10 | 24 | 24 | 30 | 60 | 100 | 150 | 150 | 150 | 150 |
| ±0.10 | ±0.15 | ±0.25 | ±0.20 | ±0.30 | ±0.50 | ±0.70 | ±1.00 | 0.05/10 | 0.05/10 |

文管中心
 研发专用
 2015.03.24
 (仅限内部使用)



RECOMMENDED P.C.B. LAYOUT

| | | | | | | |
|---------------------|---|-------------------------------------|---------------|-------|-----------------|-----------|
| ITEM | 2 | 15EDGB-Clamp | 1205B00020(H) | XX | Phosphor bronze | Sn Plated |
| ITEM | 1 | 15EDGB-3.5-Housing | 1206AYYXXA(H) | 1 | PA66 | UL94V-0 |
| MATERIAL: | | DEGSON® 宁波高正电子有限公司 | | | | |
| FINISH: | | DEGSON® DEGSON ELECTRONICS CO., LTD | | | | |
| PART NO.: | | NAME: | | | | |
| | | 15EDGB-3.5-XXP-1Y-00A(H) | | | | |
| APPD: Aaron 3/16/15 | | TITLE: ASSEMBLY DRAWING | | | REV | TO |
| CHKD: XLM 3/16/15 | | DRAWING NO.: 15EDGB-3.5-E01 | | | | |
| DRFT: XLM 05/12/13 | | DO NOT SCALE DRAWING | | SCALE | 1:1 | SHEET 1/1 |



A

8

7

6

5

4

3

2

1

A