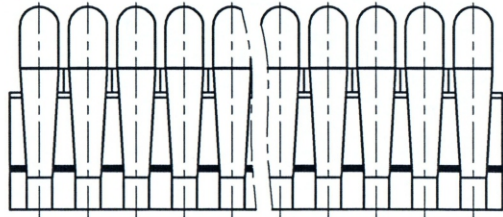


REVISION RECORD

REV	ECN	DESCRIPTION	DRFT	DATE



NOTES1:

- UL Standard
- 1.Rated Voltage/Current : 300V / 8A
- 2.Withstanding Voltage : AC1600V/1Min.
- VDE Standard
- 1.

Pollution Degree	2
Overtoltage Category	II
Rate Impulse Voltage(KV)	2.5KV
Rate Voltage(V)	250V
Rate Current(A)	7A

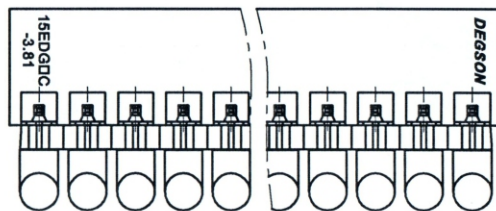
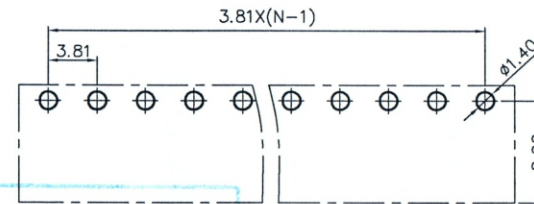
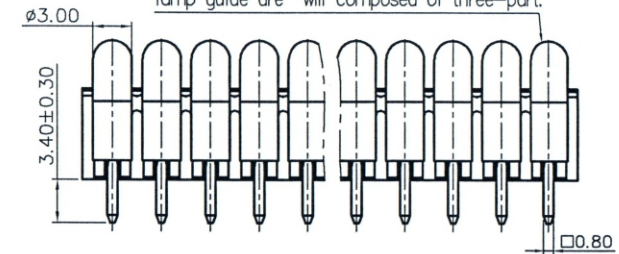
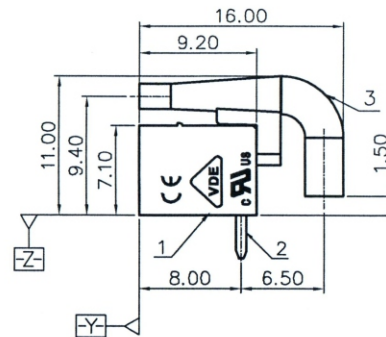
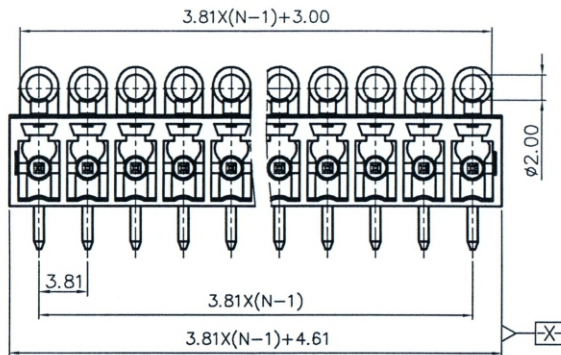
NOTES2:

- 1.Dimension shall be interpreted per ASME Y14.5-2009
- 2.Pitch : 3.81mm, Poles : N=2~24P
- 3.Operating temperature: -40°C~+105°C
- 4.Undimensioned Tolerances:

Pitch Range In mm	Nominal Dimension Range In mm							Tolerance
	Over 6 TO 10	Over 10 TO 24	Over 30 TO 60	Over 60 TO 100	Over 100 TO 150	Over 150		
±0.15	±0.20	±0.30	±0.30	±0.50	±0.70	±1.00	±1.30	±2°

5.RoHS Compliance

When the poles are greater than 10 . The lamp guide are will composed of two-part.  
When the poles are greater than 20 . The lamp guide are will composed of three-part.



仅供参考图  
日期: 2015.9.18

ITEM	NAME OF PART	MATERIAL	NOTES
3	HOUSING	PC	UL94V-0
2	PIN	BRASS	SN PLATED
1	HOUSING	PA66	UL94V-0

DETACHED LISTS	PART NO.:	宁波高松电子有限公司 NINGBO DEGSON ELECTRICAL CO., LTD		
	APPD: <i>Auron 9/18/15</i>	NAME: 15EDGRC-LD-3.81-XXP-1Y-00A(H)		
	CHKD: <i>Xm 9/18/15</i>	TITLE: CUSTOMER DRAWING		
	DRFT: HHJ 09/18/15"	REV	DO-1	
THIRD ANGLE PROJECTION		DRAWING NO.: 15EDGRC-LD-3.81-C01	SHEET	1/1
		MM (INCH)	DO NOT SCALE DRAWING	SCALE 1:1