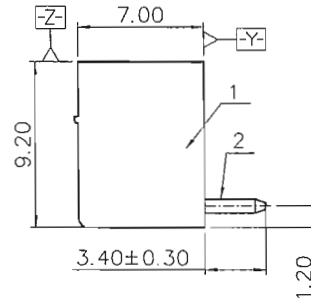
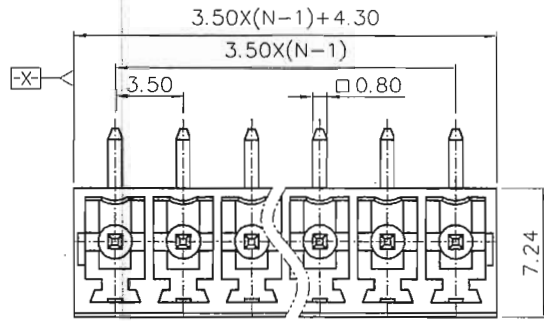


REVISION RECORD				
REV	ECN	DESCRIPTION	DRFT	DATE



NOTES1:

UL Standard

1. Rated Voltage/Current : 300V / 8A

2. Withstanding Voltage : AC1600V/1Min.

VDE Standard

1.

Pollution Degree	2
Overvoltage Category	II
Rate Impulse Voltage(KV)	2.5KV
Rate Voltage(V)	250V
Rate Current(A)	7A

NOTES2:

1. Dimension shall be interpreted per ASME Y14.5-2009

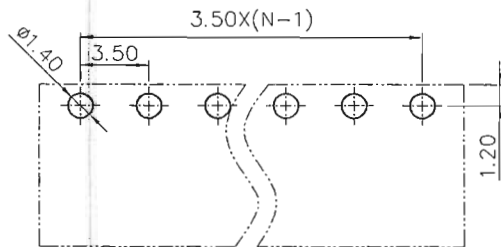
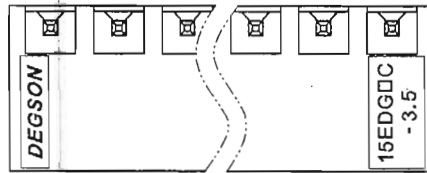
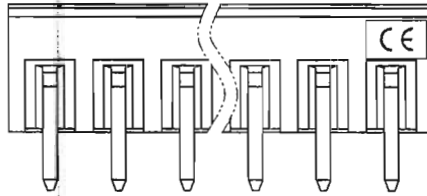
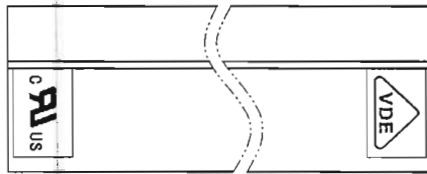
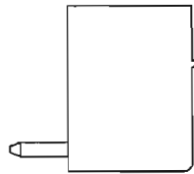
2. Pitch : 3.50mm, Poles : N=2~24P

3. Operating temperature: -40°C~+105°C

4. Undimensioned Tolerances:

Pitch Range In mm		Nominal Dimension Range In mm						
To	Over	To	Over	To	Over			
6	10	6	10	30	60	100	150	0.1/10
10	24	10	24	30	60	100	150	<
±0.15	±0.20	±0.30	±0.30	±0.50	±0.70	±1.00	±1.30	±2'

5. RoHS Compliance



PCB_LAYOUT



2	PIN	COPPER ALLOY	Sn Plated
1	HOUSING	PA66	UL94V-0
ITEM	NAME OF PART	MATERIAL	NOTES

DETACHED LISTS	PART NO.:	宁波高松电子有限公司 NINGBO DEGSON ELECTRICAL CO., LTD		
	APPD: <i>Aaron 10/14/15</i>	NAME:	15EDGRC-3.5-XXP-1Y-00A(H)	
	CHKD: <i>Xm 10/12/15</i>	TITLE:	CUSTOMER DRAWING	REV TO
	DRFT: <i>Yz 10/12/15</i>	DRAWING NO.:	15EDGRC-3.5-C02	SHEET 1/1
THIRD ANGLE PROJECTION		DO NOT SCALE DRAWING	SCALE	1:1