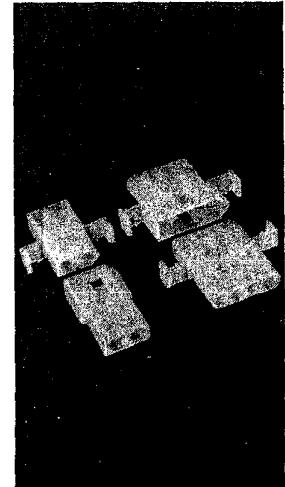
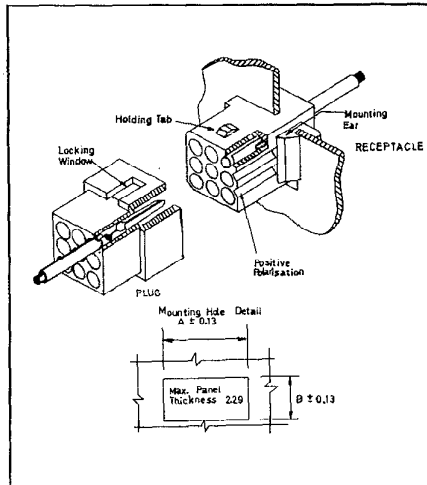
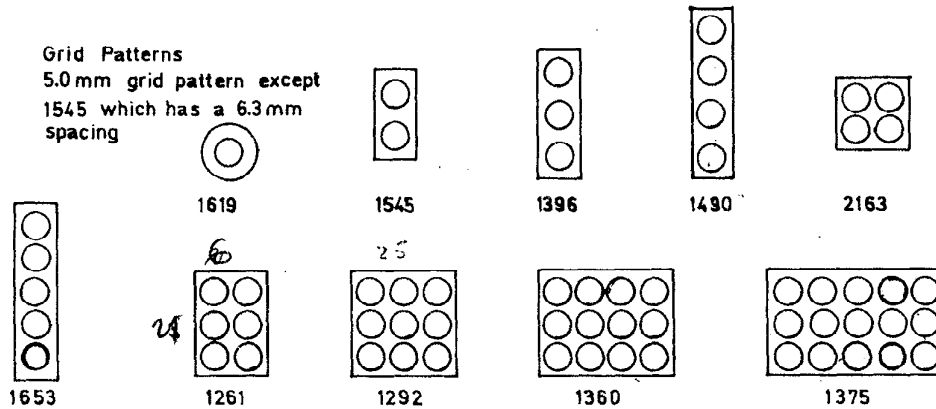


## Standard Connectors

- Integrally molded polarization
- 94V-2 nylon
- Accepts Molex .093" (2,36mm) diameter crimp type or PC terminals
- .198" (5,03mm) spacing in a grid pattern except as noted
- U.L. and C.S.A. approvals
- Integrally molded mounting ears available
- Standard detent locking
- Standard colour natural. Can be colour coded in black, brown, green, grey, orange, amber, red or yellow
- 1, 2, 3, 4, 5, 6, 9, 12, 15 circuit versions



Grid Patterns  
5.0mm grid pattern except  
1545 which has a 6.3mm  
spacing



## Ordering information:

Style		Electrical		Receptacle	Plug
Circuits (a)	Order No.	Max. Amps	Max. Volts		
1	1619	12	250	1619-01R	1619-01P
2 (b)	1545	12	250	1545-02R	1545-02P
3	1396	12	250	1396-03R	1396-03P
4	1490	9	250	1490-09R	1490-09P
4 (c)	2163	9	250	2163-04R	2163-04P
5	1653	9	250	1653-05R	1653-05P
6	1261	9	250	1261-06R	1261-06P
9 (g)	1292	9	250	1292-09R	1292-09P
12	1360	7,5	250	1360-12R	1360-12P
15	1375	7,5	250	1375-15R	1375-15P