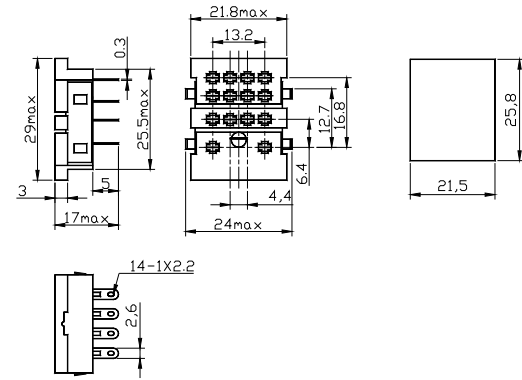


Sockets

18FF-4C-A1

Dimension

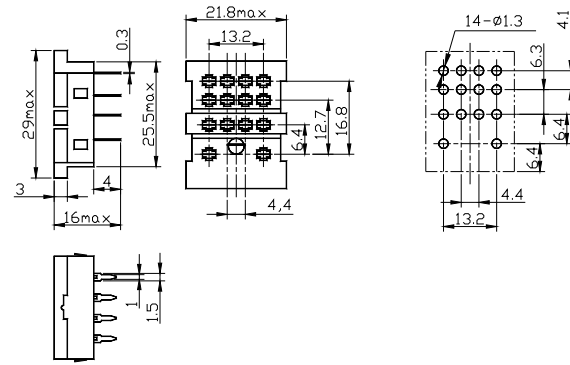
PCB layout



18FF-4C-A2

Dimension

Mounting Holes

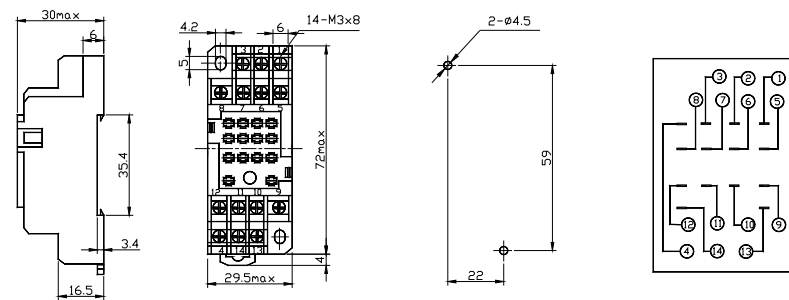
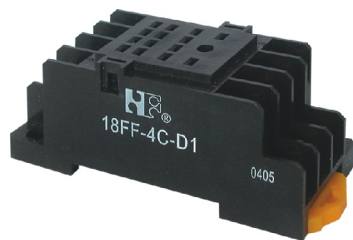


18FF-4C-D1

Dimension

PCB layout

Inter Connection

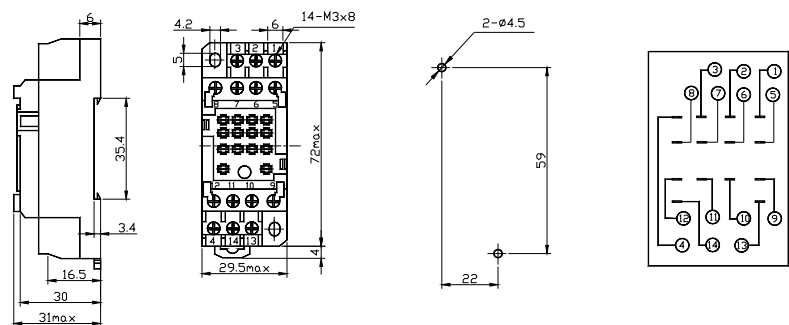


18FF-4C-D2

Dimension

PCB layout

Inter Connection

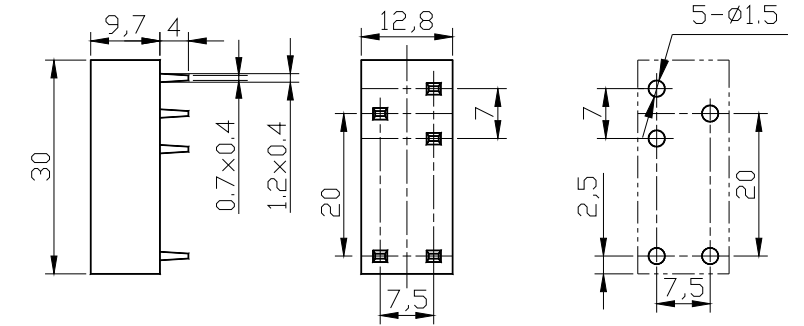


Sockets

14F-1C-A2

Dimension

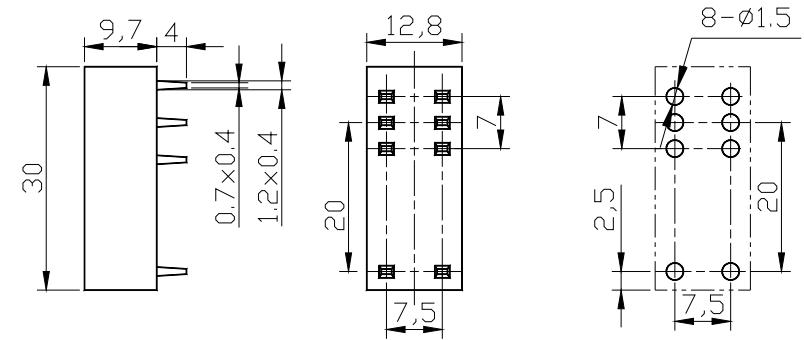
PCB layout



14F-2C-A2

Dimension

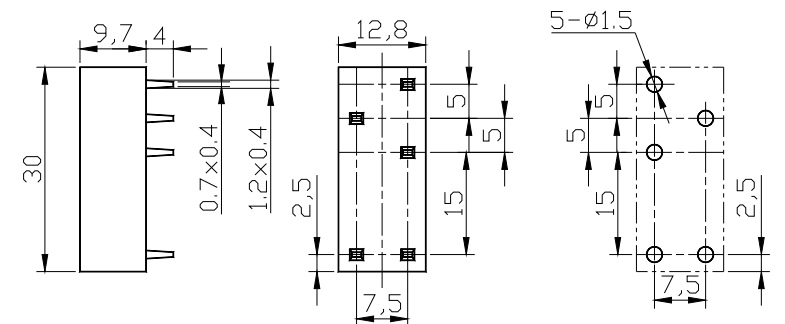
Mounting Holes



141FF-1C-A2

Dimension

PCB layout



141FF-2C-A2

Dimension

PCB layout

