

# 深圳市坤辉达科技有限公司

SHENZHEN KHD TECHNOLOGY CO.,LTD

## 产品规格书

Product specification

### 1. Parameter:

Operating voltage: 14.8V

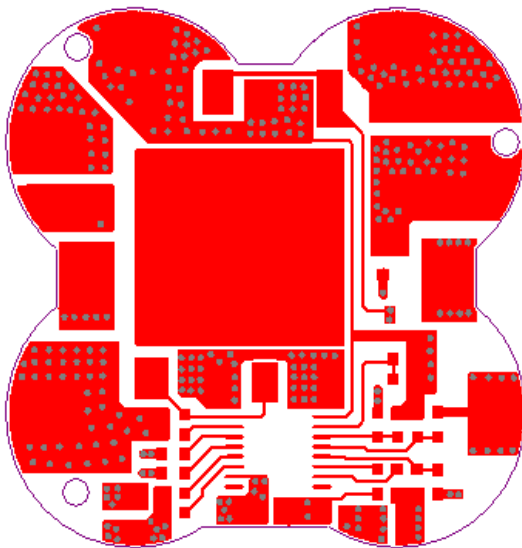
Main control IC: 8254AAV, high quality MOSFET: 81P03\*4

Size: 35.6 \* 35.3 MM

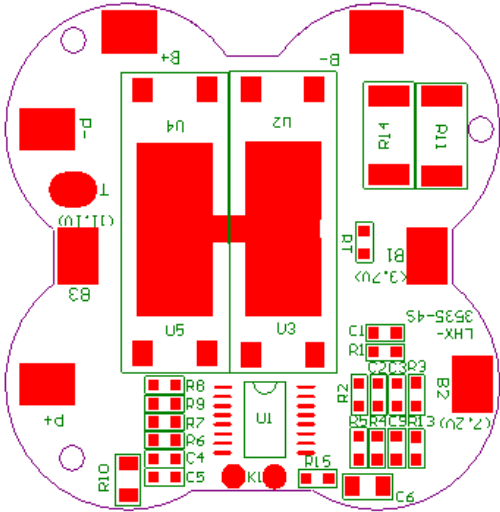
Thickness: 1.0MM

### 2. Appearance:

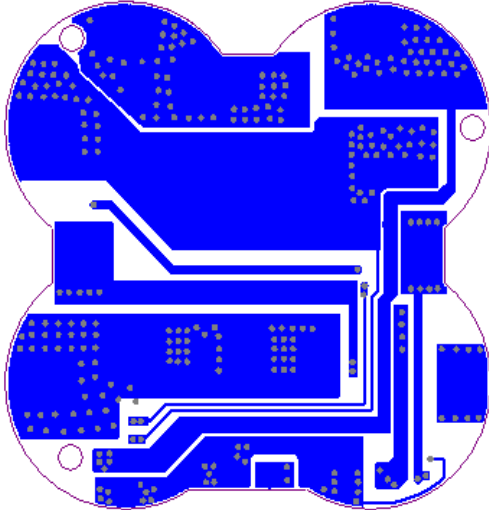
Circuit diagram of top level:



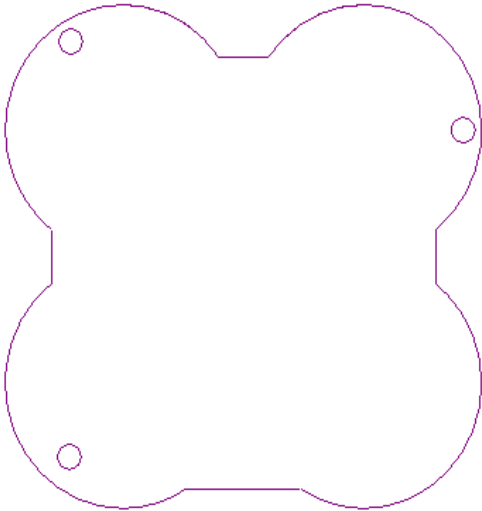
Screen printing figure of top level:



Bottom line diagram:



Screen printing figure:



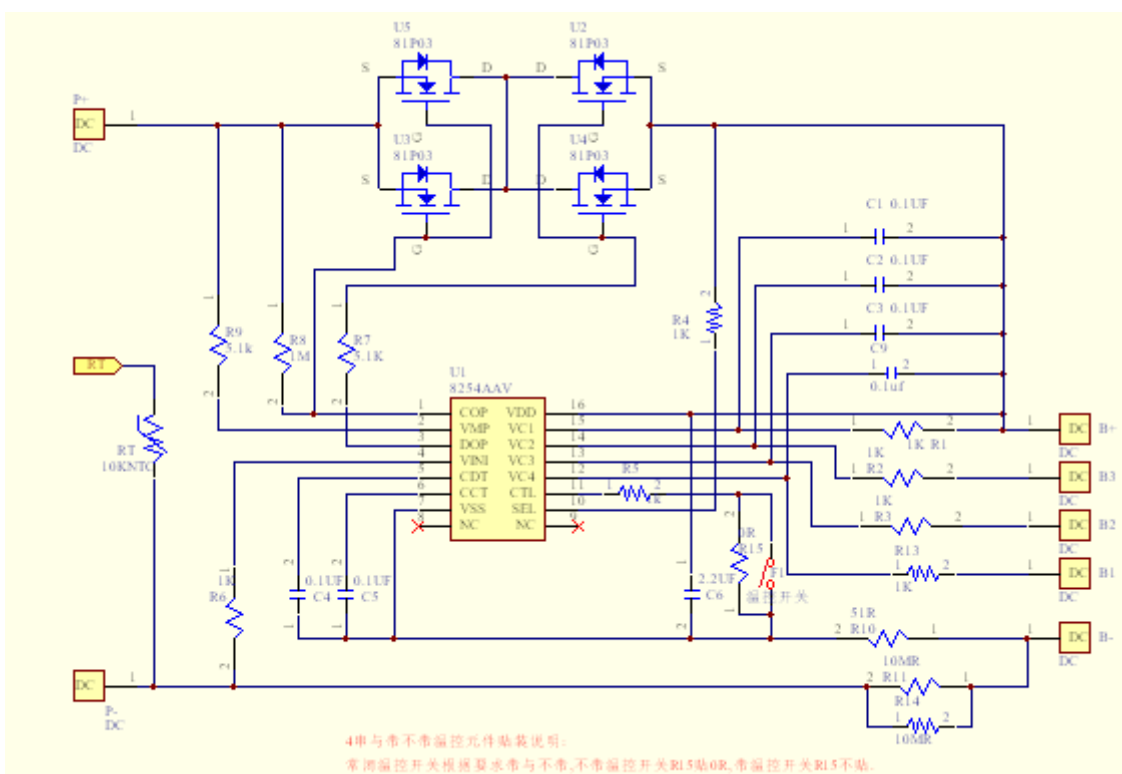
### 3. Bill Of Material

No.	Part Code	Part Name	BASE SPEC	Package Type	Qty.	Unit	Remark
1	U1	IC	S-8254-AAV	TSSOP-16	1	PCS	
2	U2U3U4U5	MOS	81P03	TO-252	4	PCS	
3	R1R2R3R4R5R6R13	Chip Resistor	1K±5%	0603	7	PCS	
4	R9R7	Chip Resistor	5.1K±5%	0603	2	PCS	
5	R8	Chip Resistor	1M±5%	0603	1	PCS	
6	C1C2C3C4C5C9	Chip Resistor	0.1uF/+80%-20%/50V	0603	6	PCS	
7	C6	Chip Resistor	2.2uF/+80%-20%/50V	0805	1	PCS	
8	R10	Chip Resistor	51R±5%	0805	1	PCS	
9	R15	Chip Resistor	0R±5%	0603	1	PCS	
10	R11R14	Chip Resistor	10MR ±1% 2W alloy resistance	2512	2	PCS	
11	RT	NTC	—	/	1	PCS	
12	B+B-B1B2B3	Nickel sheet	4*3*0.3MM	/	5	PCS	
13	K1	Thermostat Switch	—	/	1	PCS	
14	PCB	PCB	LHX-3535-4S	/	1	PCS	

**4. Technical parameters** (refer to the corresponding technical specifications of components, test at room temperature 25°C, relative humidity ≤90%)

Test items	Min	Typ	Max	Unit
Input voltage (between B+ and B-)	/	14.8	/	V
Overcharge protection voltage	4.225	4.25	4.275	V
Overcharge releases the voltage	4.10	4.15	4.20	V
Overcharge protection delay	500	1000	1500	ms
Overdischarge protection voltage	2.62	2.7	2.78	V
Overrelease release voltage	2.90	3.0	3.10	V
Overrelease protection delay	50	100	150	ms
Over current protection	20	/	50	A
Sustained current	/	/	10	A
All line current	/	/	/	mA
Overcurrent protection delay	5	10	15	ms
Short circuit protection delay time	100	300	600	us
The static current	/	12	30	uA
Internal resistance of protection plate	/	/	70	mΩ
Maximum operating temperature range	-40	/	85	°C

**5. Schematic diagram :**



**6. Product packaging and protection:**

1. use anti-static film packaging.
2. The packing quantity of each box is 1000PCS, and the mantissa is packed separately.
3. label labeling is clear, label labeling: product name, model, quantity, order number, material code, inspection label, inspection and manufacturing date, manufacturer name.