

PRODUCT SPECIFICATION of 211044

12038HBL AC220V COOLING FAN 120x120x38mm BALL BEARING 220VAC
87CFM 2600RPM WIRE LEADS, XYQIFAN(兴永奇)

1. Scope of application:

This product specification book standardizes the performance and test method of the product as the basis of technical confirmation

2. General characteristics

2.1 Product application scope

The product is mainly used for ventilation and heat dissipation of ground automatic control device, electronic equipment, medical equipment, computer, power supply equipment, welding machine, packaging and printing equipment, satellite communication, CNC machinery and other automatic equipment.

2.2 Standard test conditions:

Under normal circumstances, the test is carried out under the conditions of standard atmospheric pressure, temperature 5 ~ 35°C and relative humidity less than 85%.

The standard test conditions of this specification are standard atmospheric pressure, temperature 25°C, relative humidity less than 60%;

2.3 Standards

Gb12350-2009 Safety requirements for small power motors

Cnca-01c-013:2007 Implementation Rules for Compulsory certification of Electric components production and Lv (Small Power motors)

3. Product structure

The product is composed of cylindrical aluminum alloy frame, PBT plastic wind blade and motor, through double-sided flange installation, small volume, maintenance free, easy to install, and has low noise, small vibration, reliable operation and other excellent performance.

4. General characteristics

| No. | Item | Standard Value | Unit |
|-----|-----------------------|----------------|------|
| 1 | Product mode | 12038HBL2 | |
| 2 | Appearance size | 120*120*38 | mm |
| 3 | Rated voltage | AC220 | V |
| 4 | Starting voltage | AC 187 | V |
| 5 | Frequency | 50 | Hz |
| 6 | Rated current | 0.14 | A |
| 7 | Power | 21 | W |
| 8 | RPM | 2600 | RPM |
| 9 | Air volume | 87.0 | CFM |
| 10 | Wind speed | | m/s |
| 11 | Temperature rise | 60 | °C |
| 12 | Noise value | 45 | dBA |
| 13 | Noise value | 1007#20AWG | mm |
| 14 | Operating Environment | -20~+60 | °C |
| 15 | Unit weight | 0.45 | KG |
| 16 | Packing | 40 | PCS |

| Material specification details of main materials | | | | | |
|--|----------------|--------------|--------------|-------------|-----------------------|
| No. | Component Name | Material | Safety level | Safety code | Material manufacturer |
| 1 | Frame | ADC12 | | | |
| 2 | Blades | PBT | | | |
| 3 | Rotor | 1300 | | | |
| 4 | Copper wire | QA-1 | | | |
| 5 | Bearing | Ball Bearing | | | |

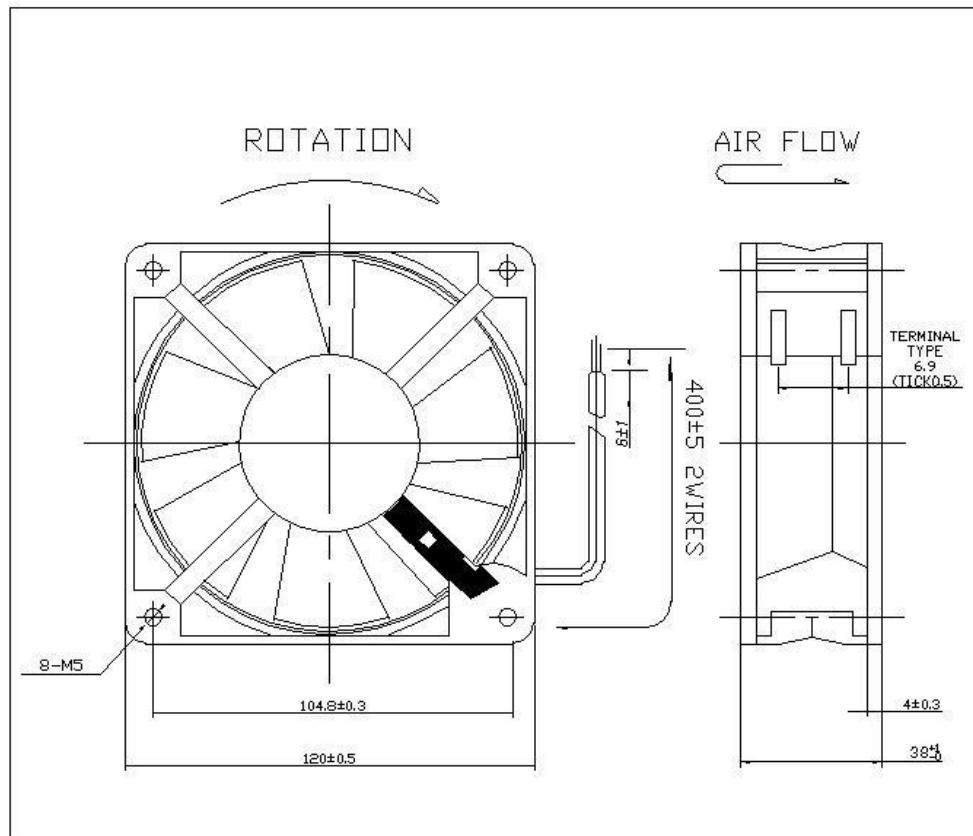
5. Product Drawing:

5、产品图纸:

MATERIAL

- 1. FRAME: ALuminum die-cast, Black color
- 2. IMPELLER: THERMOLASTIC PBT OF UL 94V0
- 3. LEAD WIRE: UL 1007# 20 AWG

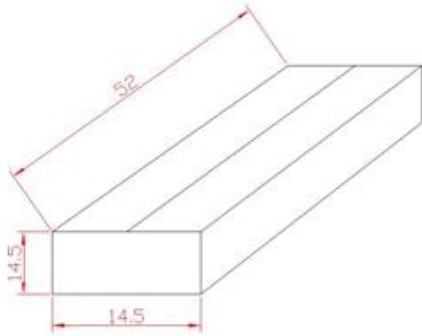
DIMENSIONS: MM



| | | | | |
|--|------------|--|-------------|--|
| | SPEC. NO | | REVISE DATE | |
| | ISSUE DATE | | EDITION | |
| | PAGE | | | |

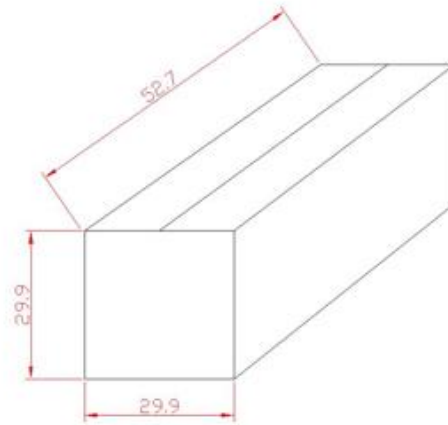
6. Standard Packing:

| Type | QTY (pcs) | | | Dimension L×W×H | | Weight (Kg) |
|----------|--------------|-----------|-----------|--------------------|----------------|----------------|
| | Paperboard | Inner box | Outer box | Inner box | Outer box | |
| JRF12038 | 2 | 20 | 40 | 52×14.5×14.5 | 52.7×29.9×29.9 | 19 |



内盒

Inner box



外箱

Outer box