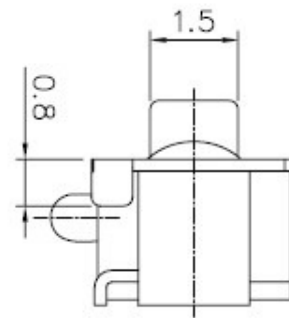
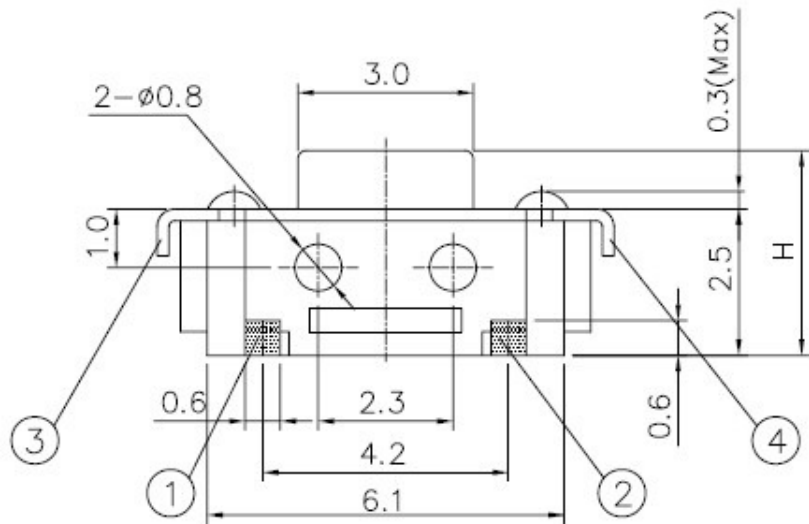
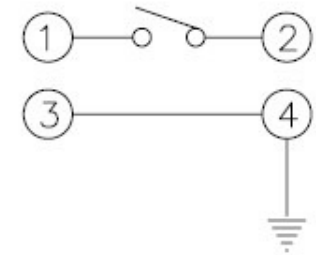


CIRCUIT DIAGRAM



P.C.B MOUNTING PATTREN

