



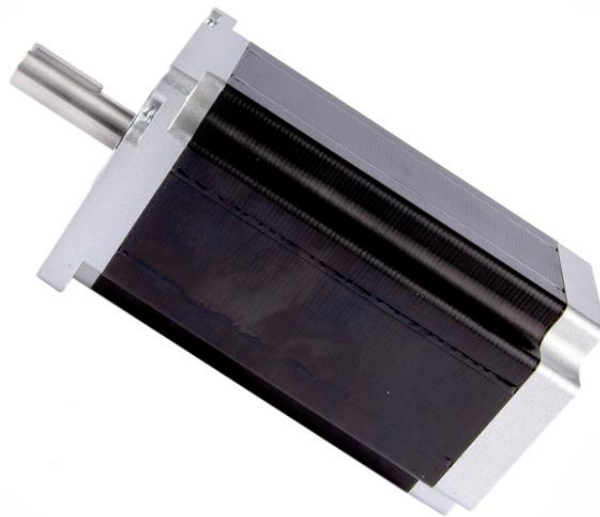
# STEPPER MOTOR NEMA42

## 110BYGH SERIES

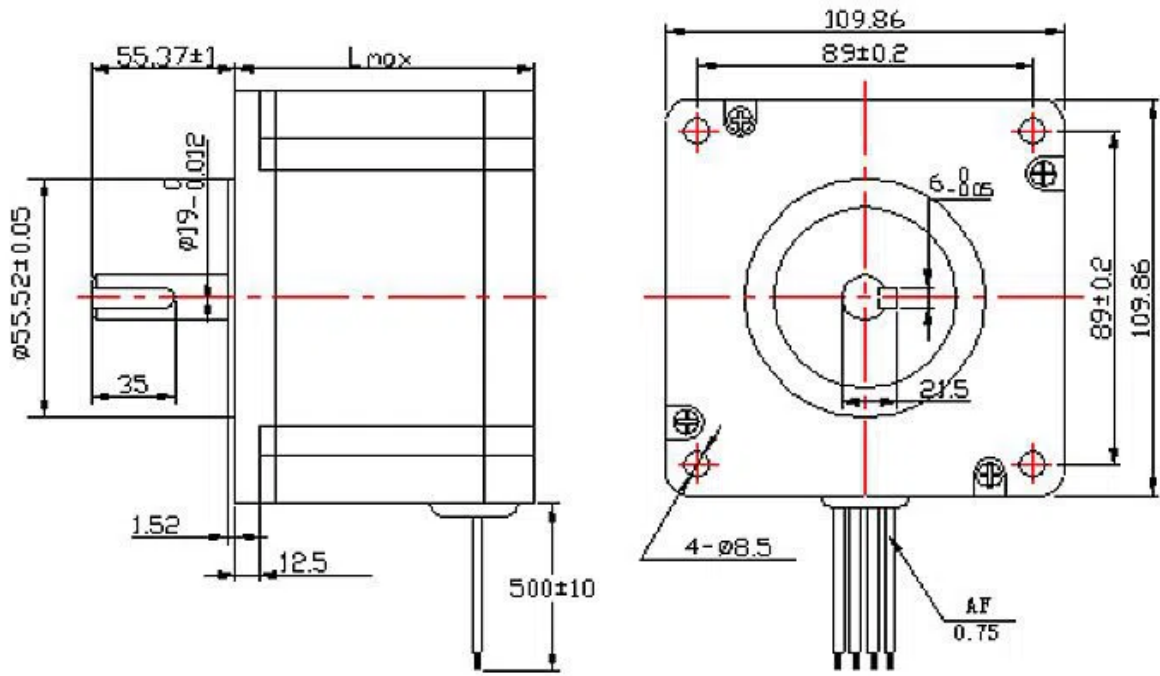
### STEPPER MOTOR NEMA42 – 1.8-DEGREES / STEP

The Wantai 110 series stepping motors, with excellent performance, is suitable for :

laser processing machinery, medical treatment, textile machinery, automatic packaging machines, various robots, manipulators, automated production lines, automatic fixture testing, PCB testing equipment, UAV take-up system, High-precision measuring instruments, electronic manufacturing equipment, pharmaceutical equipment and other automation equipment are widely used in hundreds of industries.



Model	Motor Length L(mm)	Rate Voltage (V)	Rate Current (A)	Phase Resistance ( $\Omega$ )	Phase Inductance (mH)	Holding Torque (N.m)	Detent Torque (N.cm)	Rotor Inertia ( $\text{kg.cm}^2$ )	Motor Weight (kg)
110BYGH99-001	99	3.0	6.0	0.5	6.0	12.5	3	5.5	5
110BYGH115-001	115	2.2	6.0	0.37	4.9	14	3	7.2	7
110BYGH150-001	150	4.8	6.0	0.8	14	23	5.9	10.9	8.4
110BYGH201-001	201	8.0	8.0	1.0	16	30	9.5	16.2	11.7



**RED 红 A**

**GRN 绿  $\bar{A}$**

**B  
黄  
YEL**

**$\bar{B}$   
蓝  
BLU**