

# 10FF-3Z-C2

# RELAY SOCKET



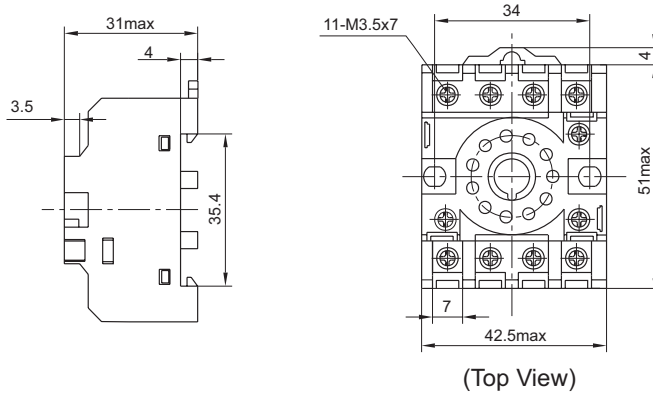
## CHARACTERISTICS

Ambient temperature :	-40 °C to +70°C
Rated voltage :	300VAC
Rated current :	15A (per pole)
Insulation voltage (Min.) :	5000VAC
Protection degree DIN40050 :	IP20
Socket material :	PA66+GF V0 (UL)
Contacts spring material :	QSn6.5-0.1
Retainer :	non-available
White plastic tag :	non-available
Modules :	non-available
Terminal torque :	1.0 Nm
Wire strip length :	7mm
Applicable relay type:	JQX-10FF(HF10FF) (3 poles) JQX-10FH(HF10FH) (3 poles)

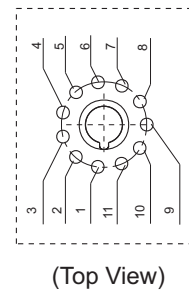
## DIMENSIONS, PC BOARD LAYOUT AND WIRING DIAGRAM

Unit: mm

### Outline Dimensions

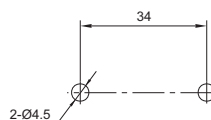


### Wiring Diagram



(Top View)

### PCB Layout



HONGFA RELAY

ISO9001、ISO/TS16949、ISO14001、OHSAS18001 CERTIFIED

2005 Rev. 1.00