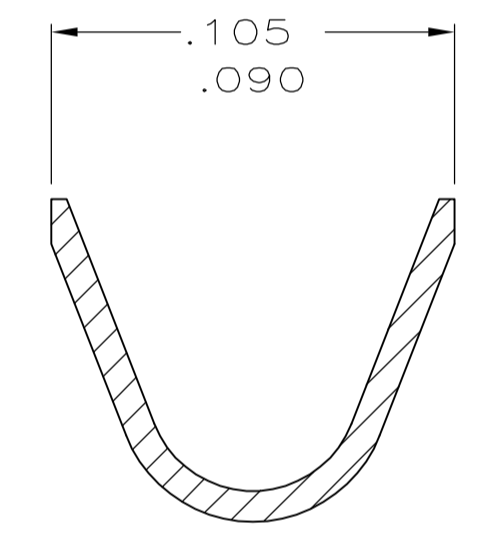
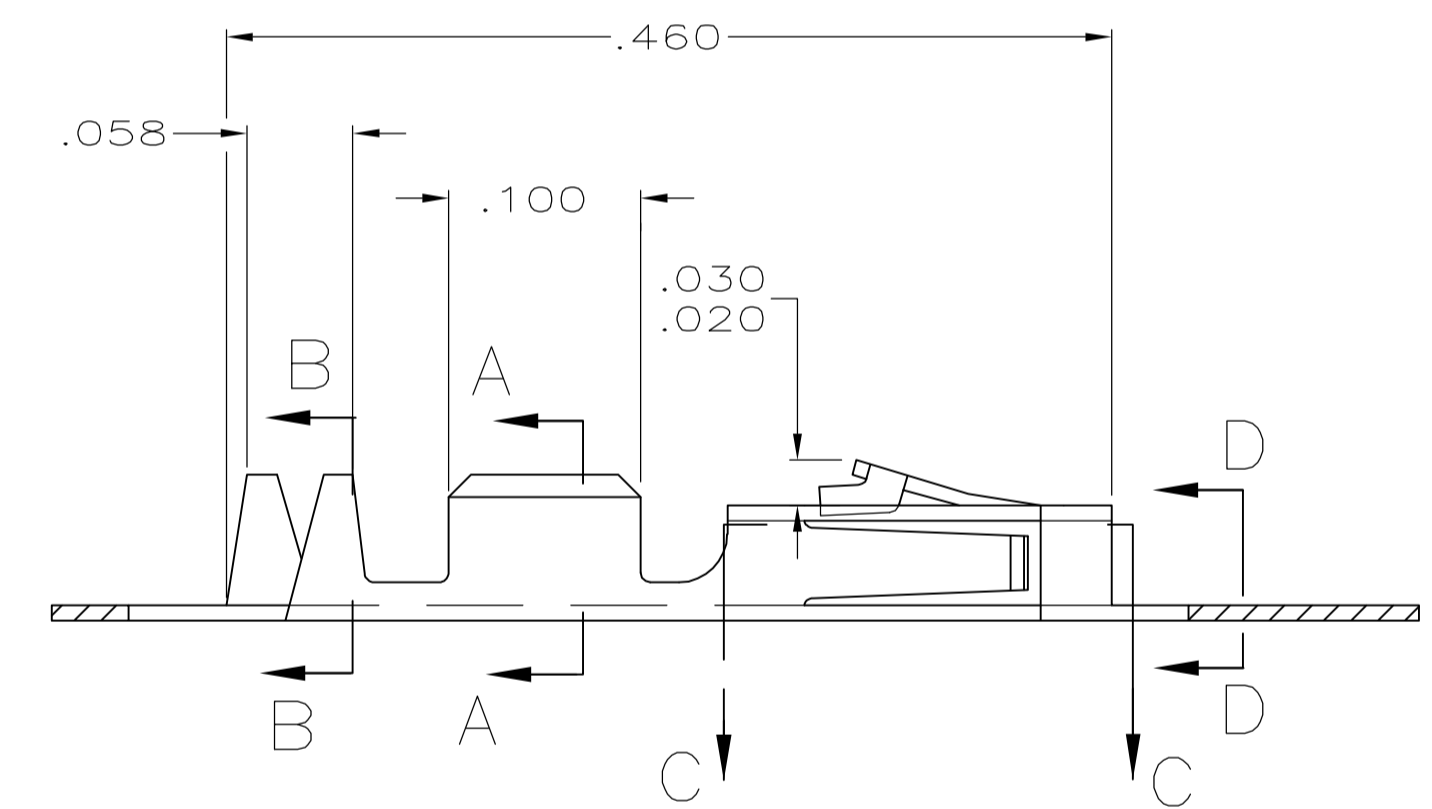
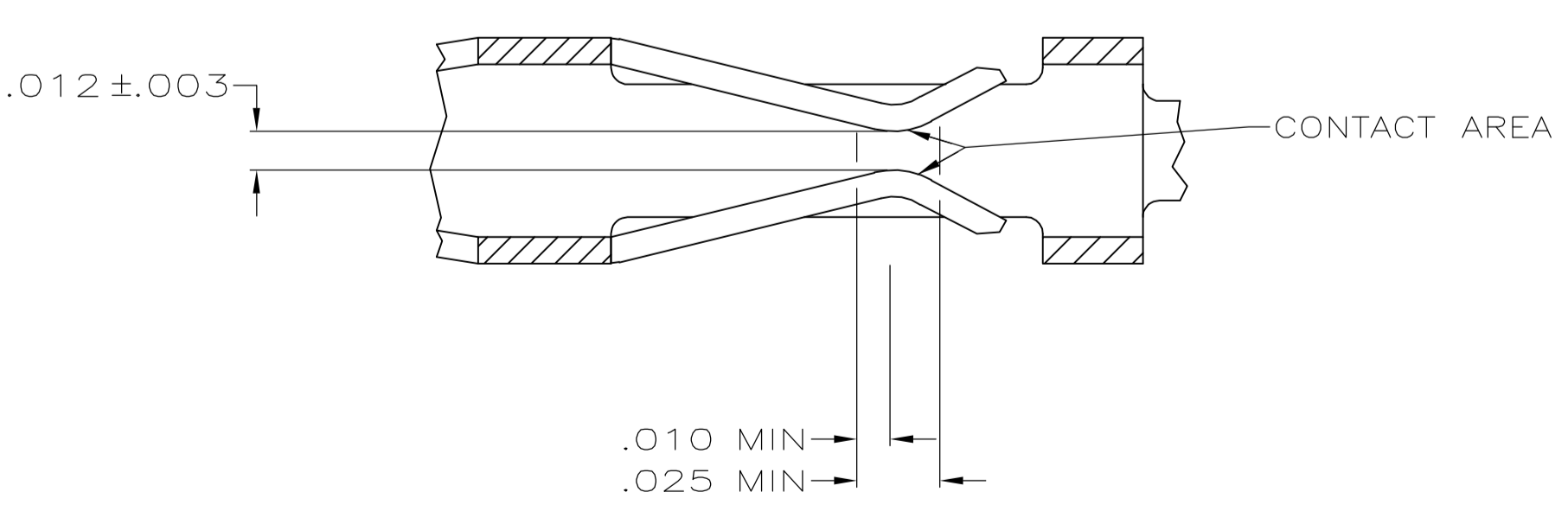


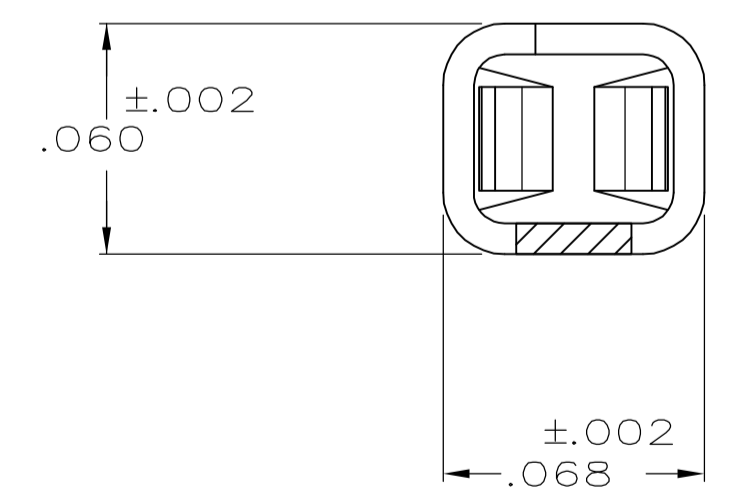
SECTION A-A  
SCALE 20:1



SECTION B-B  
INSULATION RANGE .025-.060  
SCALE 20:1



SECTION C-C  
SCALE 20:1



SECTION D-D  
SCALE 20:1

- 1 .000100 MIN BRIGHT TIN-LEAD OVER .000050 MIN NICKEL ON ENTIRE CONTACT
- 2 .000050 MIN NICKEL ON ENTIRE CONTACT; .000015 MIN GOLD ON CONTACT AREA; .000050 MIN BRIGHT TIN-LEAD ON AREA M.
- 3 .000050 MIN NICKEL ON ENTIRE CONTACT; .000030 MIN GOLD ON CONTACT AREA; .000050 MIN BRIGHT TIN-LEAD ON AREA M.
- 4 LOOSE PIECE CUT-OFF DIMENSION.
- 5 .000100-.000200 TIN OVER .000050-.000100 NICKEL ON ENTIRE CONTACT.
- 6 PREPLATED MATERIAL: (.000015 MIN GOLD ON CONTACT AREA, .000050-.000100 TIN ON AREA M, ALL OVER .000050-.000100 NICKEL ON ENTIRE CONTACT).
- 7 PREPLATED MATERIAL: (.000030 MIN GOLD ON CONTACT AREA, .000050-.000100 TIN ON AREA M, ALL OVER .000050-.000100 NICKEL ON ENTIRE CONTACT).

REMARKS	FINISH	PART NO
LOOSE PIECE	REF	1-104479-3
LOOSE PIECE	REF	1-104479-2
LOOSE PIECE	REF	1-104479-1
STRIP		1-104479-0
STRIP		104479-9
STRIP		104479-8
LOOSE PIECE	REF	104479-7
LOOSE PIECE	REF	104479-6
LOOSE PIECE	REF	104479-5
STRIP		104479-4
STRIP		104479-3
STRIP		104479-2

THIS DRAWING IS A CONTROLLED DOCUMENT.

DW	C. OBERMAN	5-9-89		Tyco Electronics Corporation
CHK	K. HELM	5-12-89		Harrisburg, Pa 17105-3608
APP'D	R. HELICKER	5-12-89	NAME	CONTACT, CRIMP SNAP-IN
PRODUCT SPEC	108-1472		APPLICATION SPEC	AMPMODU SHORT POINT, 20-24 AWG
SIZE	114-25038		RESTRICTED TO	
MATERIAL	PHOSPHOR BRONZE	FINISH	SEE TABLE	WEIGHT
CUSTOMER DRAWING		SCALE	10:1	SHEET 1 OF 1