



**Caravel AC - CLE3L2 - 020190**  
 (Family) (Model) (Part Number)

**Electrical Specifications**

Rated Voltage:	230 VAC
AC Frequency:	60 Hz
Power Supply:	60.0 Watts
Line Current:	0.25 Amps
Locked Rotor Current	0.70 Amps
Nominal Speed:	1650 RPM

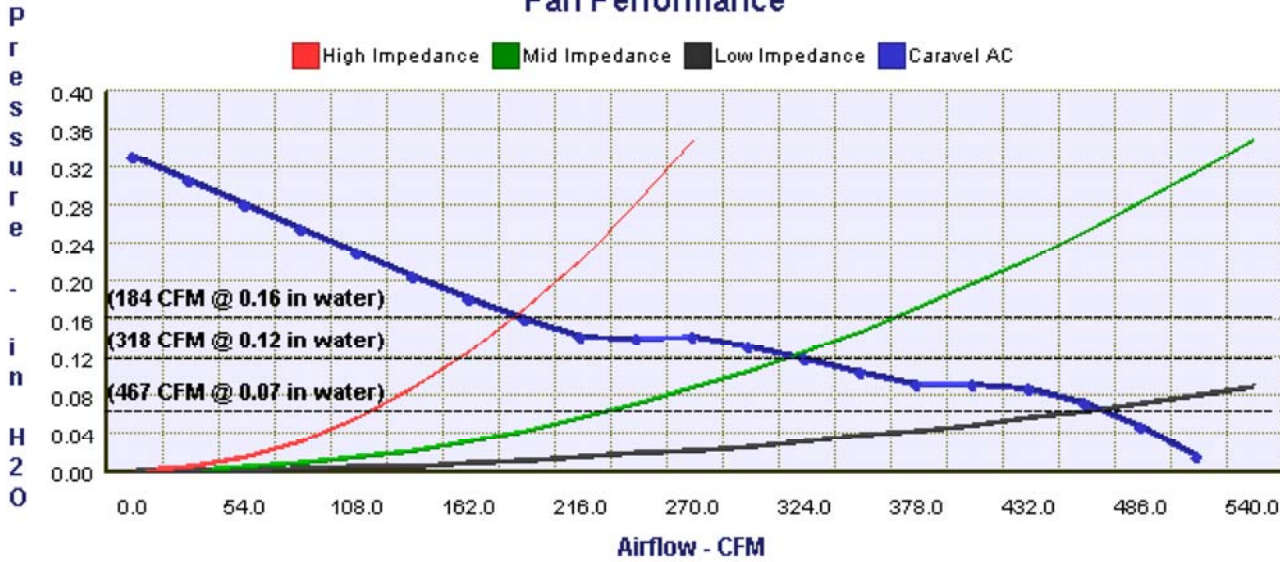


**Mechanical Specifications**

Dimensions:	10.00in x 3.50in
Weight	70.4 oz
Max Airflow @ 0 in H <sub>2</sub> O	525.0 CFM
Max Pressure @ 0 CFM	0.331 in H <sub>2</sub> O
Noise	49.2 dBA



**Fan Performance**



Comair Rotron, Inc.  
 Phone: 619.651.2000  
 sales@comairrotron.com

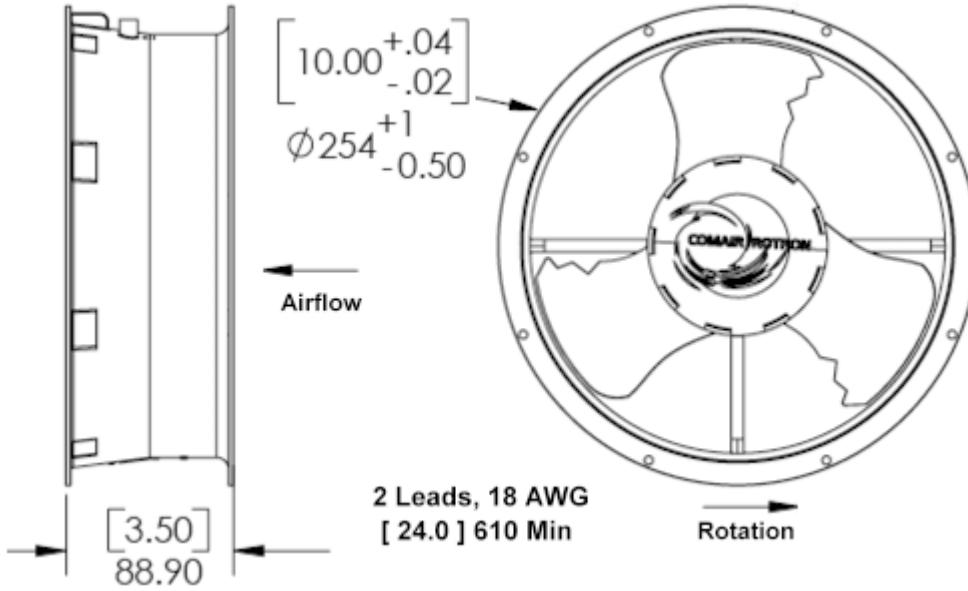
Comair Rotron Europe, Ltd.  
 Phone: +44.1527.520525  
 saleseurope@comairrotron.com

Comair Rotron Fan Company Ltd.  
 Phone: +86.21.52260581  
 salesasia@comairrotron.com

Print Date: Thursday, April 8, 2010 at 12:26:02 - AC Fan Datasheet - Web Version 1.0 Rev. A



## Mechanical Drawing

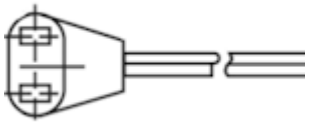


## Options

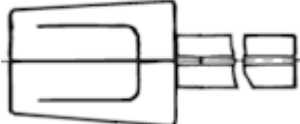
Part Number	Model Number	Bearing Type	Fan Rotation	Termination	In-Stock <small>(Click 'Yes' for current stock)</small>
<input checked="" type="radio"/> 020190	CLE3L2	Ball	Normal	24 in min 18 AWG Leads	No
<input type="radio"/> 020191	CLE3T2	Ball	Normal	Solder Terminals	No

## Accessories (Click on part number for detailed drawing.)

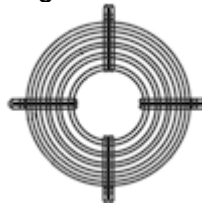
428056  
Plug and Cord



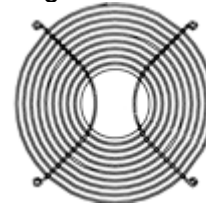
550440  
Plug and Cord



476323  
Finger Guard



557923  
Finger Guard



**Comair Rotron, Inc.**  
Phone: 619.651.2000  
sales@comairrotron.com

**Comair Rotron Europe, Ltd.**  
Phone: +44.1527.520525  
saleseurope@comairrotron.com

**Comair Rotron Fan Company Ltd.**  
Phone: +86.21.52260581  
salesasia@comairrotron.com

Print Date: Thursday, April 8, 2010 at 12:26:02 - AC Fan Datasheet - Web Version 1.0 Rev. A